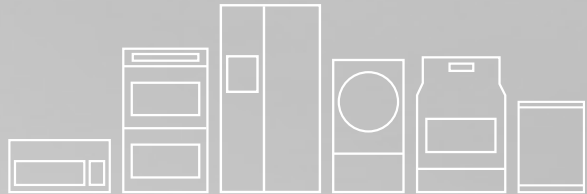


# FRIGIDAIRE

All about the

# Use & Care

of your Refrigerator



## TABLE OF CONTENTS

Important Safety Instructions.....	2	Controls.....	13
Installation .....	4	Normal Operating Sounds and Sights.....	15
Door Removal/Reversal Instructions .....	6	Care and Cleaning .....	16
Handle Installation .....	8	Before you Call.....	18
Connecting Water Supply .....	10	Major Appliance Warranty .....	19
Ice Service.....	12		

# IMPORTANT SAFETY INSTRUCTIONS




## WARNING

Please read all instructions before using this refrigerator.

## For your Safety

- DO NOT store or use gasoline, or other flammable liquids in the vicinity of this or any other appliance. Read product labels for warnings regarding flammability and other hazards.
- DO NOT operate the refrigerator in the presence of explosive fumes.
- Avoid contact with any moving parts of automatic ice maker.
- Remove all staples from the carton. Staples can cause severe cuts, and also destroy finishes if they come in contact with other appliances or furniture.

## Definitions

 This is the safety alert symbol. It is used to alert you to potential personal injury hazards. Obey all safety messages that follow this symbol to avoid possible injury or death.



## DANGER

DANGER indicates an imminently hazardous situation which, if not avoided, will result in death or serious injury.



## WARNING

WARNING indicates a potentially hazardous situation which, if not avoided, could result in death or serious injury.



## CAUTION

CAUTION indicates a potentially hazardous situation which, if not avoided, may result in minor or moderate injury.



## IMPORTANT

IMPORTANT indicates installation, operation or maintenance information which is important but not hazard-related.



## Installation Checklist

### Doors

- Handles are secure and tight
- Door seals completely to cabinet on all sides
- Freezer door is level across the top

### Leveling

- Refrigerator is level, side-to-side and tilted 1/4" (6mm) front-to-back
- Toe grille is properly attached to refrigerator
- Cabinet is setting solid on all corners

### Electrical Power

- House power turned on
- Refrigerator plugged in

### Ice Maker

- House water supply connected to refrigerator
- No water leaks present at all connections - recheck in 24 hours
- Ice maker is turned ON
- Ice & water dispenser operates correctly
- Front filter must be flush with filter housing (select models)

### Final Checks

- Shipping material removed
- Fresh food and freezer temperatures set
- Crisper humidity controls set
- Registration card sent in

## Child Safety

Destroy or recycle the carton, plastic bags, and any exterior wrapping material immediately after the refrigerator is unpacked. Children should never use these items to play. Cartons covered with rugs, bedspreads, plastic sheets or stretch wrap may become airtight chambers, and can quickly cause suffocation.

## Proper Disposal of your Refrigerator or Freezer

### Risk of child entrapment

Child entrapment and suffocation are not problems of the past. Junked or abandoned refrigerators or freezers are still dangerous – even if they will sit for “just a few days”. If you are getting rid of your old refrigerator or freezer, please follow the instructions below to help prevent accidents.

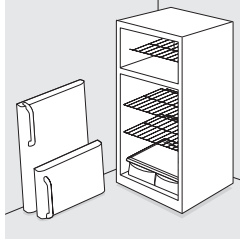
# IMPORTANT SAFETY INSTRUCTIONS

## Proper Disposal of Refrigerators/Freezers

We strongly encourage responsible appliance recycling/disposal methods. Check with your utility company or visit [www.energystar.gov/recycle](http://www.energystar.gov/recycle) for more information on recycling your old refrigerator.

### Before you throw away your old refrigerator/freezer:

- Remove doors.
- Leave shelves in place so children may not easily climb inside.
- Have refrigerant removed by a qualified service technician.



## WARNING

These guidelines must be followed to ensure that safety mechanisms in this refrigerator will operate properly.

## Electrical information

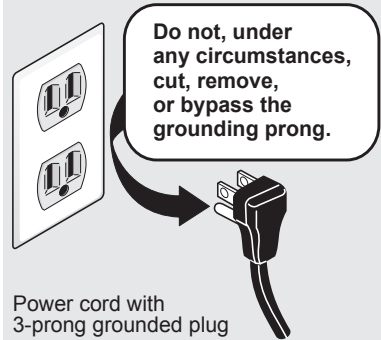
- The refrigerator must be plugged into its own dedicated 115 Volt, 60 Hz, 15 Amp, AC only electrical outlet. The power cord of the appliance is equipped with a three-prong grounding plug for your protection against electrical shock hazards. It must be plugged directly into a properly grounded three prong receptacle. The receptacle must be installed in accordance with local codes and ordinances. Consult a qualified electrician. Avoid connecting refrigerator to a Ground Fault Interrupter (GFI) circuit. Do not use an extension cord or adapter plug.
- If the power cord is damaged, it should be replaced by an authorized service technician to prevent any risk.
- Never unplug the refrigerator by pulling on the power cord. Always grip the plug firmly, and pull straight out from the receptacle to prevent damaging the power cord.
- Unplug the refrigerator before cleaning and before replacing a light bulb to avoid electrical shock.
- Performance may be affected if the voltage varies by 10% or more. Operating the refrigerator with insufficient power can damage the compressor. Such damage is not covered under your warranty.
- Do not plug the unit into an electrical outlet controlled by a wall switch or pull cord to prevent the refrigerator from being turned off accidentally.



## IMPORTANT

Turning the Freezer and Fresh Food controls to "0" (Mechanical controls) or "OFF" (Electronic controls) will disable your refrigerator's cooling system, but does not disconnect the power to the light bulb and other electrical components. To turn off power to your refrigerator you must unplug the power cord from the electrical outlet.

Grounding type wall receptacle



## CAUTION

To avoid personal injury or property damage, handle tempered glass shelves carefully. Shelves may break suddenly if nicked, scratched, or exposed to sudden temperature change.



## IMPORTANT

### CFC/HCFC Disposal

Your old refrigerator may have a cooling system that used CFCs or HCFCs (chlorofluorocarbons or hydrochlorofluorocarbons). CFCs and HCFCs are believed to harm stratospheric ozone if released to the atmosphere. Other refrigerants may also cause harm to the environment if released to the atmosphere.

If you are throwing away your old refrigerator, make sure the refrigerant is removed for proper disposal by a qualified technician. If you intentionally release refrigerant, you may be subject to fines and imprisonment under provisions of environmental legislation.

# INSTALLATION

This Use & Care Guide provides general operating instructions for your model. Use the refrigerator only as instructed in this Use & Care Guide. Before starting the refrigerator, follow these important first steps.

## Location

- Choose a place that is near a grounded electrical outlet. Do Not use an extension cord or an adapter plug.
- If possible, place the refrigerator out of direct sunlight and away from the range, dishwasher or other heat sources.
- The refrigerator must be installed on a floor that is level and strong enough to support a fully loaded refrigerator.
- Consider water supply availability for models equipped with an automatic ice maker. If you do not hook up water to the refrigerator, remember to turn the ice maker off.



## CAUTION

Do Not install the refrigerator where the temperature will drop below 55°F (13°C) or rise above 110°F (43°C). The compressor will not be able to maintain proper temperatures inside the refrigerator.

Do Not block the toe grille on the lower front of your refrigerator. Sufficient air circulation is essential for the proper operation of your refrigerator.

## Installation

### Installation clearances

- Allow the following clearances for ease of installation, proper air circulation, and plumbing and electrical connections:

Sides & Top	¾ inch
Back	1 inch



## NOTE

If your refrigerator is placed with the door hinge side against a wall, you may have to allow additional space so the door can be opened wider.

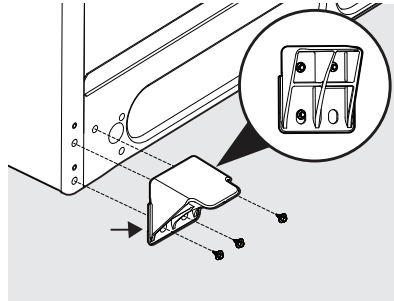
### Guidelines for final positioning of your refrigerator:

- All four corners of the cabinet must rest firmly on the floor.

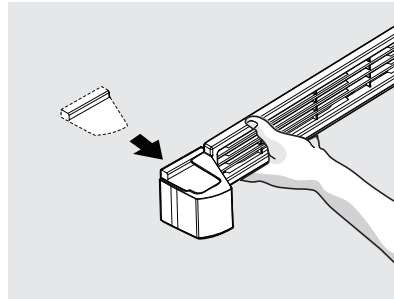
- The cabinet should be level at the front and rear.
- The sides should tilt ¼-inch (6 mm) from front-to-back (to ensure that doors close and seal properly).
- Doors should align with each other and be level.

### To install the toe grille:

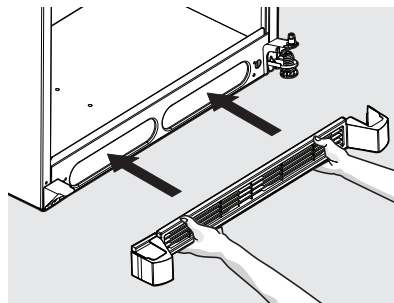
1. Attach toe grille support bracket to cabinet using 3 bolts supplied.



2. Install left toe grille cover onto slot on left side of toe grille.

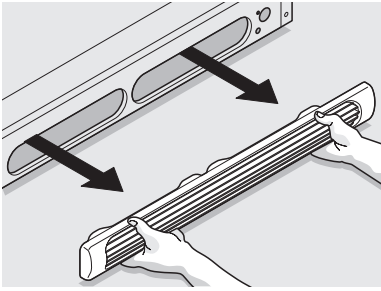


3. Attach toe grille to cabinet.



or

# INSTALLATION



some models

## To level the cabinet using the front rollers:

- 1 Remove the toe grille.
- 2 Use a flat-blade screwdriver or  $\frac{3}{8}$  inch socket wrench to raise or lower the front rollers (Figure 2).

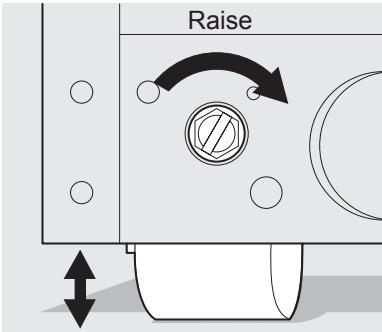


Figure 2

or

- 3 Use adjustable wrench to adjust leveling screws. Lower the leveling screws on each side clockwise until they contact the floor (Figure 3).

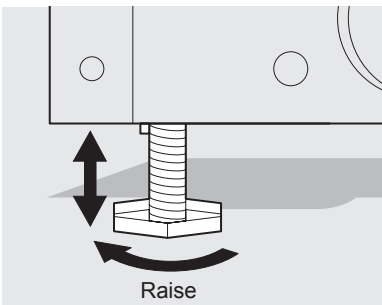


Figure 3

## NOTE

Raise the front of the refrigerator enough so the doors close freely when opened halfway. The refrigerator should slope  $\frac{1}{4}$  inch to  $\frac{1}{2}$  inch from front-to-back. Then level the refrigerator from side-to-side.

- 4 Some models are equipped with an anti-tip bracket (Figure 4). Lower it clockwise until it contacts the floor.

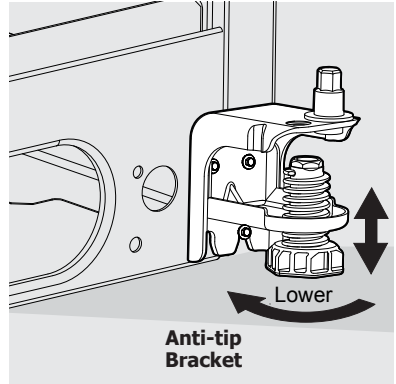


Figure 4 (some models)

## WARNING



The anti-tip device must be installed according to the instructions in your Use & Care Manual. Failure to do so will result in injury.

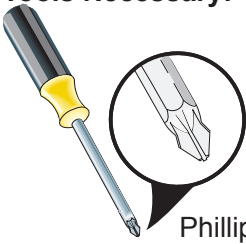
## WARNING

### When reversing the door swing:

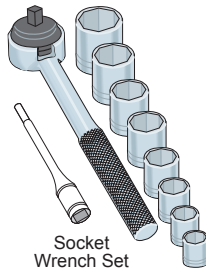
You **MUST** move the anti-tip bracket to align with the hinges of the door. Failure to do so will result in injury.

# DOOR REMOVAL/REVERSAL INSTRUCTIONS

## Tools Necessary:

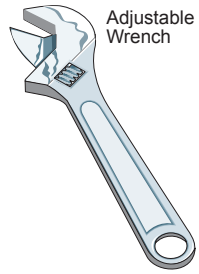


Phillips™ Head



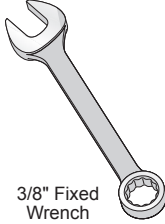
Socket Wrench Set

or

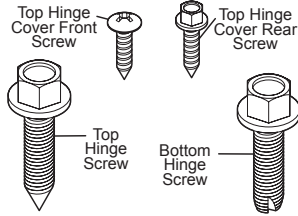


Adjustable Wrench

or



3/8" Fixed Wrench



## NOTE

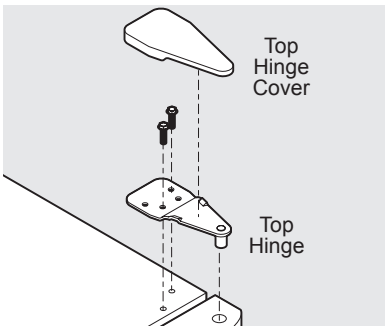
The direction in which your refrigerator doors open (door swing) can be reversed, from left to right or right to left, by moving the door hinges from one side to the other. Reversing the door swing should be performed by a qualified person.

## IMPORTANT

Before you begin, turn the refrigerator temperature control to "0" (Mechanical controls) or "OFF" (Electronic controls) and remove the electrical power cord from the wall outlet. Remove any food from door shelves.

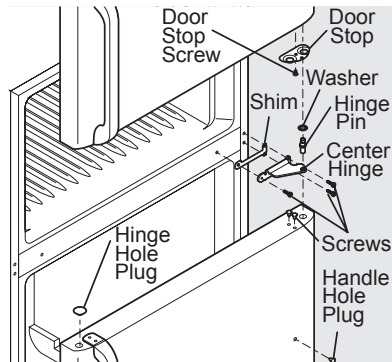
## Door removal and reversal instructions:

1. Remove toe grille.
2. Remove top hinge cover. Trace around the hinge with a soft lead pencil. This makes reinstallation easier. Remove top hinge and lift door off center hinge pin. Set door aside.



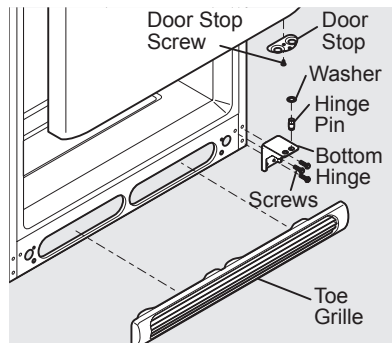
3. Unscrew center hinge pin using adjustable wrench and save for reassembly. Ensure plastic washer stays on hinge pin.

4. Lift refrigerator door off of bottom hinge and set aside.
5. Remove center hinge and shim by removing inside screw and loosening two outside screws enough to allow hinge and shim to slide out. Tighten screws.
6. Loosen two outside screws on opposite side of refrigerator, remove inside screw and install center hinge.

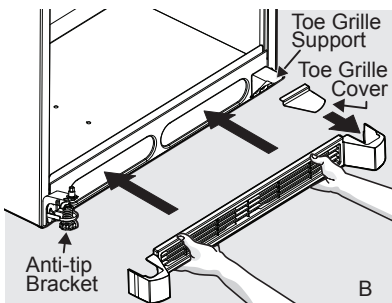
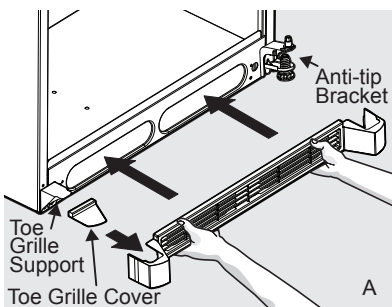
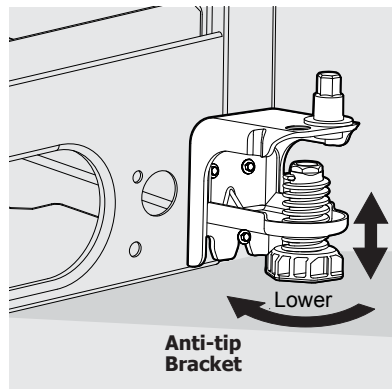


# DOOR REMOVAL/REVERSAL INSTRUCTIONS

7. Remove three screws on bottom hinge and anti-tip bracket (if equipped) with  $\frac{3}{8}$ " socket wrench.
8. Install bottom hinge and anti-tip bracket (if equipped) on opposite side with the three screws removed from step 7.
9. Unscrew bottom hinge pin using adjustable wrench. Move hinge pin to other hole in hinge and tighten with adjustable wrench.
10. Reverse door handles (see Handle Installation section).
11. Move freezer and refrigerator door stops to opposite side. Before starting screws, use an awl to puncture the foam.
12. Position refrigerator door onto bottom hinge pin and screw center hinge pin through center hinge into top of door. Close refrigerator door to help align hinge hole.
13. Tighten center hinge pin with adjustable wrench.
14. Remove cabinet and hinge hole plugs and move to opposite side.
15. Lower freezer door onto center hinge pin.
16. Close freezer door. Have an assistant lift up on opposite side of door while tightening screws to install top hinge.
17. There are two toe grille covers provided in your literature packet; one for the right side and one for the left side. Install the appropriate cover over the opening on the side opposite the anti-tip bracket, (see Figures A & B).



OR



## NOTE

In case of future door reversals, save the toe grille cover not being used.

18. Flip toe grille and reinstall (some models).
19. Plug in electrical power cord and turn refrigerator temperature control to center position. Adjust setting as necessary.



## WARNING

### When reversing the door swing:

You MUST move the anti-tip bracket to align with the hinges of the door and install the toe grille support for proper balance. Failure to do so will result in injury.

# HANDLE INSTALLATION



## CAUTION

Wear gloves and use extreme CAUTION when installing these handles. The rounded end of the handles may be sharp.

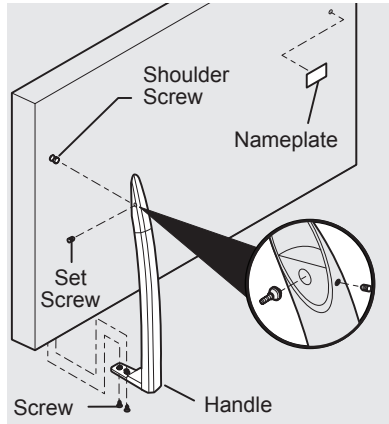


## IMPORTANT

To ensure proper installation of handles, please review these instructions and illustrations thoroughly prior to installing the handles.

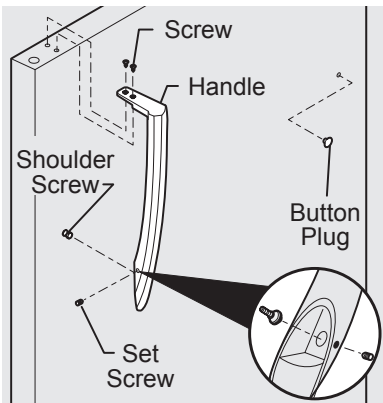
Additionally, before installing the door handles, make sure the door swing is correct. Your model will have either a right hand or left hand door swing. Follow instructions in the Use & Care Guide to reverse the doors, if necessary.

3. Tighten the set screw on the rounded part of the handle until the handle is flush with the door, then tighten another 1/2 turn.



### To attach metal refrigerator handle:

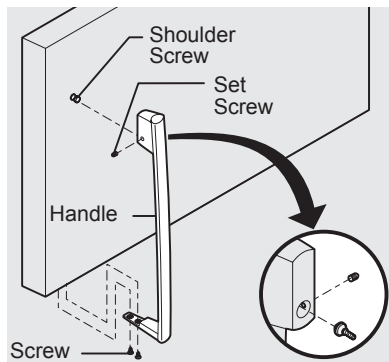
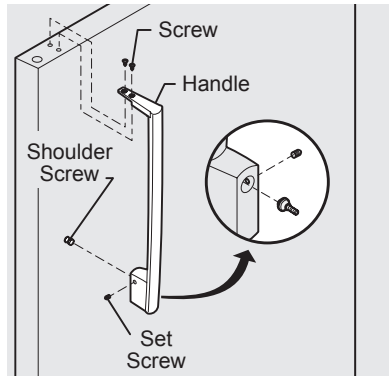
1. Place rounded part of handle onto shoulder screw on face of door and align the two holes in top of handle with the two holes in top of door. Do not tighten the set screw yet.
2. Install the two screws into the top of the handle.
3. Tighten the set screw on the rounded part of the handle until the handle is flush with the door, then tighten another 1/2 turn.



### To attach metal freezer handle:

1. Place rounded part of handle onto shoulder screw on face of door and align the two holes in bottom of handle with the two holes in bottom of door. Do not tighten the set screw yet.
2. Install the two screws into the bottom of the handle.

## Stainless Steel Models

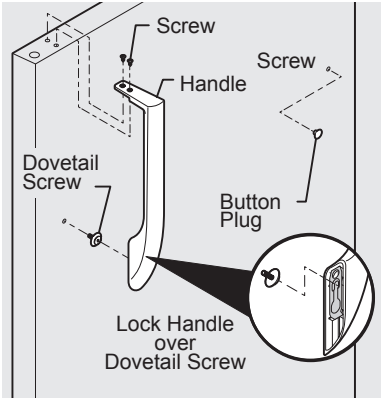




# HANDLE INSTALLATION

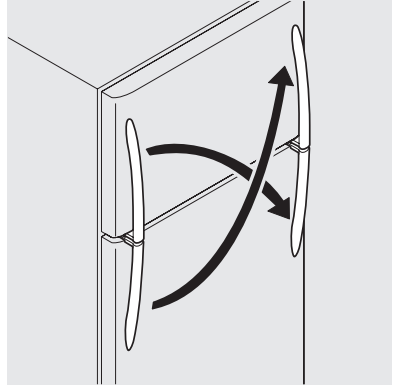
## To attach plastic refrigerator handle:

1. Place top of handle over dovetail screw, pull handle straight down until handle is aligned with screw holes on top of door.
2. Secure top of handle with two screws.



## To reverse refrigerator/freezer handles:

Handles may be easier to reverse while doors are off. Reverse freezer and refrigerator handles as shown.

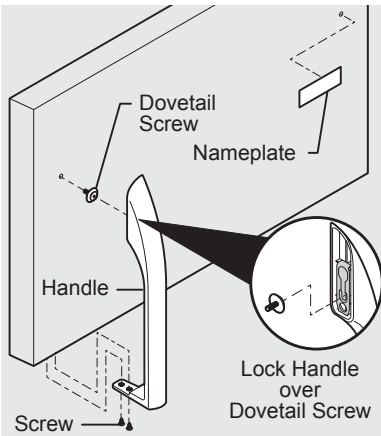


## CAUTION

Be sure doors are set aside in a secure position where they cannot fall and cause personal injury.

## To attach plastic freezer handle:

1. Place top of handle over dovetail screw, pull handle straight up until handle is aligned with screw holes on bottom of door.
2. Secure bottom of handle with two screws.



# CONNECTING THE WATER SUPPLY

## WARNING

To avoid electric shock, which can cause death or severe personal injury, disconnect the refrigerator from electrical power before connecting a water supply line to the refrigerator.

## CAUTION

### To Avoid Property Damage:

- Copper or Stainless Steel braided tubing is recommended for the water supply line. Water supply tubing made of 1/4 inch plastic is not recommended to be used. Plastic tubing greatly increases the potential for water leaks, and the manufacturer will not be responsible for any damage if plastic tubing is used for the supply line.
- DO NOT install water supply tubing in areas where temperatures fall below freezing.
- Chemicals from a malfunctioning softener can damage the ice maker. If the ice maker is connected to soft water, ensure that the softener is maintained and working properly.

## IMPORTANT

Ensure that your water supply line connections comply with all local plumbing codes.

### Before Installing The Water Supply Line, You Will Need:

- Basic Tools: adjustable wrench, flat-blade screwdriver, and Phillips™ screwdriver
- Access to a household cold water line with water pressure between 30 and 100 psi.
- A water supply line made of 1/4 inch (6.4 mm) OD, copper or stainless steel tubing. To determine the length of tubing needed, measure the distance from the ice maker inlet valve at the back of the refrigerator to your cold water pipe. Then add approximately 7 feet (2.1 meters), so the refrigerator can be moved out for cleaning (as shown).
- A shutoff valve to connect the water supply line to your household water system. DO NOT use a self-piercing type shutoff valve.
- Do not re-use compression fitting or use thread seal tape.

- A compression nut and ferrule (sleeve) for connecting a copper water supply line to the ice maker inlet valve.

## NOTE

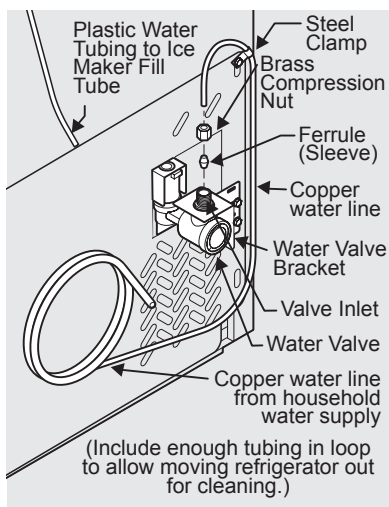
Check with your local building authority for recommendations on water lines and associated materials prior to installing your new refrigerator. Depending on your local/state building codes, Frigidaire recommends for homes with existing valves its **Smart Choice®** water line kit 5305513409 (with a 6 ft. Stainless Steel Water Line) and for homes without an existing valve, Frigidaire recommends its **Smart Choice®** water line kit 5305510264 (with a 20 ft. Copper Water Line with self-tapping saddle valve). Please refer to [www.frigidaire.com/store](http://www.frigidaire.com/store) for more information.

### To Connect Water Supply Line To Ice Maker Inlet Valve

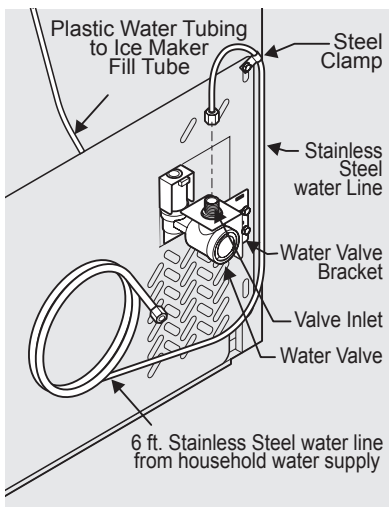
1. Disconnect refrigerator from electric power source.
2. Place end of water supply line into sink or bucket. Turn ON water supply and flush supply line until water is clear. Turn OFF water supply at shutoff valve.
3. Remove plastic cap from water valve inlet and discard cap.
4. If you use copper tubing - Slide brass compression nut, then ferrule (sleeve) onto water supply line. Push water supply line into water valve inlet as far as it will go (1/4 inch / 6.4 mm). Slide ferrule (sleeve) into valve inlet and finger tighten compression nut onto valve. Tighten another half turn with a wrench; DO NOT over tighten. See Figure 1.  
  
If you use stainless steel tubing - The nut and ferrule are already assembled on the tubing. Slide compression nut onto valve inlet and finger tighten compression nut onto valve. Tighten another half turn with a wrench; DO NOT over tighten. See Figure 2.
5. With steel clamp and screw, secure water supply line (copper tubing only) to rear panel of refrigerator as shown.
6. Coil excess water supply line (copper tubing only), about 2 1/2 turns, behind refrigerator as shown and arrange coils so they do not vibrate or wear against any other surface.

## CONNECTING THE WATER SUPPLY

7. Turn ON water supply at shutoff valve and tighten any connections that leak.
8. Reconnect refrigerator to electrical power source.
9. To turn ice maker on, lower wire signal arm (side mounted) or set the ice maker's On/Off power switch to the "I" position (rear mounted).



**Figure 1**



**Figure 2**

# ICE SERVICE

If your refrigerator has an automatic ice maker, minimal ice will be produced during the first 24 hours of operation. Air in new plumbing lines may cause the ice maker to cycle two or three times before making a full tray of ice. With no usage, it will take approximately one to two days to fill the ice container.

New plumbing connections may cause the first production of ice cubes to be discolored or have an odd flavor. Discard ice made during the first 24 hours.



## NOTE

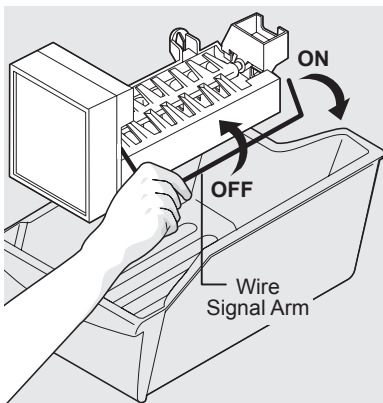
Automatic ice makers are also optional accessories that may be installed in most models at any time. Call your local dealer for information.

## Turning your Ice Maker On

After the plumbing connections have been completed, the water supply valve must be opened. Place the ice container under the ice maker, pushing it as far back as possible. Lower the wire signal arm to its "down" or ON position.

## Turning your Ice Maker Off

To stop the ice maker, lift the wire signal arm until it clicks and locks in the "up" or OFF position. The ice maker also turns off automatically when the ice container is full.



## IMPORTANT

Your ice maker is shipped from the factory with the wire signal arm in the ON position. To ensure proper function for your ice maker, hook up water supply immediately or turn ice maker OFF by lifting the wire signal arm until it clicks and locks in the UP position. If the ice maker is on and the water supply is not connected, the water valve will make a loud chattering noise.

## ICE PRODUCTION: WHAT TO EXPECT

The ice maker will produce 2.5 to 3 pounds of ice every 24 hours depending on usage conditions. Ice is produced at a rate of 8 cubes every 80 to 160 minutes.



## CAUTION

Do Not place the ice container in your dishwasher.

## Cool Down Period

To ensure safe food storage, allow the refrigerator to operate with the doors closed for at least 8 hours before loading it with food.

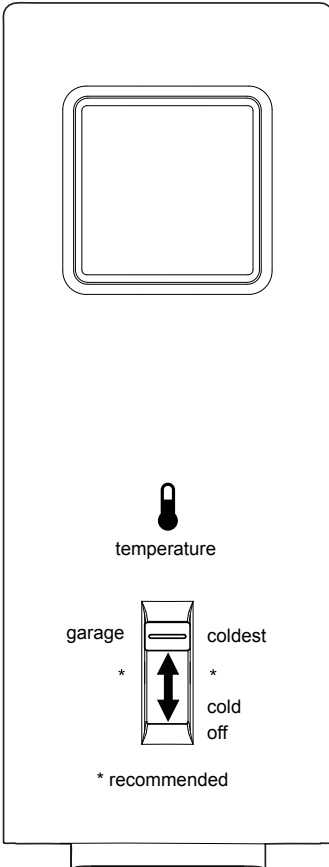
## Refrigerator & Freezer Controls (some models)

### NOTE

When first turning refrigerator on, adjust the refrigerator control to Normal. This is the recommended initial setting. After 24 hours, adjust the controls as needed.

### NOTE

If your unit is in a garage or area where the temperature is below 55°, adjust the freezer control to the coldest setting.



**Auxiliary Freezer Control**

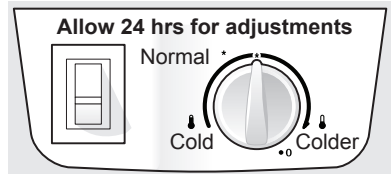
## Cool Down Period

To ensure safe food storage, allow the refrigerator to operate with the doors closed for at least 8 hours before loading it with food.

## Refrigerator & Freezer Controls (some models)

### NOTE

When first turning refrigerator on, adjust control to Normal. This is the recommended initial setting. After 24 hours, adjust the controls as needed.



**Refrigerator/Freezer Control**

## Temperature Adjustment

- Adjust temperature gradually: adjust the knob in small increments, allowing the temperature to stabilize.
- For colder temperatures, adjust the knob towards **Colder**.
- For warmer temperatures, adjust the knob towards **Cold**.

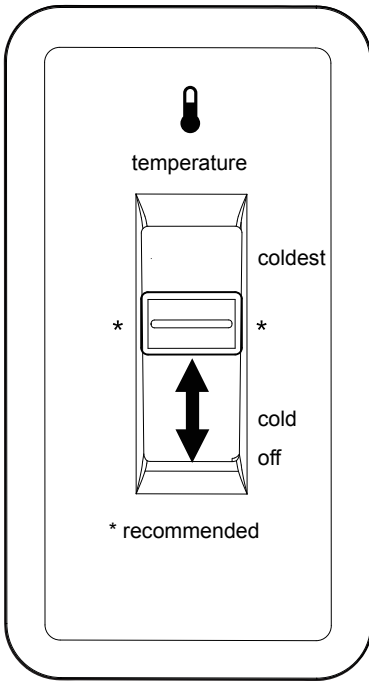
Adjusting the refrigerator/freezer control will change temperatures in both compartments. The auxiliary freezer control can be left at the factory pre-set (Normal) or adjusted as desired; it has no effect on electrical power to the refrigerator.

To maintain temperatures, a fan circulates air in the refrigerator and freezer compartments. For good circulation, do not block cold air vents with food items.

## IMPORTANT

Adjusting the refrigerator/freezer temperature control to "0" turns off the compressor and prevents the refrigerator from cooling, but does not disconnect the power to the light bulb and other electrical components. To turn off power to your refrigerator, you must unplug the power cord from the wall outlet.

# CONTROLS



## Refrigerator/Freezer Control

### Temperature Adjustment

- Adjust temperature gradually: adjust the knob in small increments, allowing the temperature to stabilize.

Adjusting the refrigerator/freezer control will change temperatures in both compartments. The auxiliary freezer control can be left at the factory pre-set (Normal) or adjusted as desired; it has no effect on electrical power to the refrigerator.

To maintain temperatures, a fan circulates air in the refrigerator and freezer compartments. For good circulation, do not block cold air vents with food items.



### IMPORTANT

Adjusting the refrigerator/freezer temperature control to "off" turns off the compressor and prevents the refrigerator from cooling, but does not disconnect the power to the light bulb and other electrical components. To turn off power to your refrigerator, you must unplug the power cord from the wall outlet.

# NORMAL OPERATING SOUNDS AND SIGHTS

## Understanding the sounds you may hear

Your new, high-efficiency refrigerator may introduce unfamiliar sounds. These sounds normally indicate your refrigerator is operating correctly. Some surfaces on floors, walls, and kitchen cabinets may make these sounds more noticeable.

### NOTE

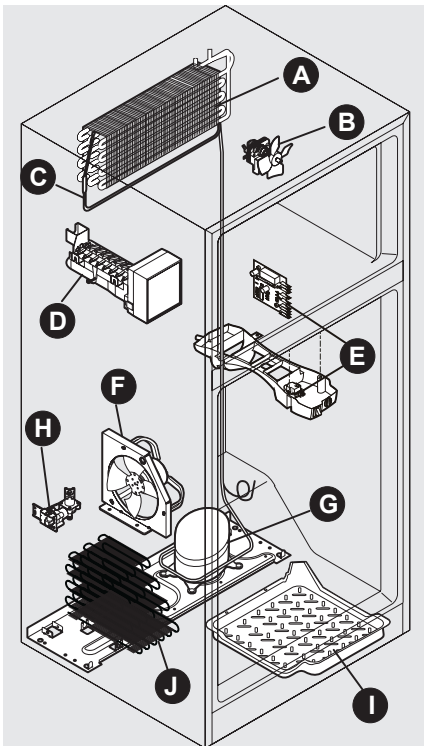
Rigid foam insulation is very energy efficient, but is not a sound insulator.

Following is a list of major components in your refrigerator and the sounds they can cause:

- A Evaporator** Refrigerant through the evaporator may create a boiling or gurgling sound.
- B Evaporator fan** You may hear air being forced through the refrigerator by the evaporator fan.
- C Defrost heater** During defrost cycles, water dripping onto the defrost heater may cause a hissing or sizzling sound. After defrosting, a popping sound may occur.

### IMPORTANT

During the automatic defrost cycle, you may notice a red glow in the vents on the back wall of your freezer compartment. This is normal during the defrost cycle.



- D Automatic ice maker** When ice has been produced, you will hear ice cubes falling into the ice bin.
- E Electronic defrost control** These parts can produce a snapping or clicking sound when turning the cooling system on and off.
- F Condenser fan** You may hear air being forced through the condenser.
- G Compressor** Modern, high-efficiency compressors run much faster than in the past. The compressor may have a high-pitched hum or pulsating sound.
- H Water valve** If your refrigerator is equipped with an automatic ice maker, you will hear a buzzing sound as the water valve opens to fill the ice maker during each cycle.
- I Drain pan** (not removable) You may hear water dripping into the drain pan during the defrost cycle.
- J Condenser** May create minimal sounds from forced air.

### IMPORTANT

If the Fresh Food door is left open for more than 5 minutes, an alarm will sound. The alarm will sound for 2 minutes and then stop. If the "Door Ajar" condition remains, the alarm will repeat every 30 minutes for two intervals.

After 15 minutes of a "Door Ajar" Condition, the unit will turn the Fresh Food light off until the door is closed. The door switch in the Fresh Food can be pressed and released to reset the alarm and light.

# CARE & CLEANING

## Protecting your investment

Keeping your refrigerator clean maintains appearance and prevents odor build-up. Wipe up any spills immediately and clean the freezer and fresh food compartments at least twice a year. When cleaning, take the following precautions:

- Never use CHLORIDE or cleaners with bleach to clean stainless steel.
- Do not wash any removable parts in a dishwasher.
- Always unplug the electrical power cord from the wall outlet before cleaning.
- Remove adhesive labels by hand. Do not use razor blades or other sharp instruments which can scratch the appliance surface.
- Do not remove the serial plate.

Do not use abrasive cleaners such as window sprays, scouring cleansers, brushes, flammable fluids, cleaning waxes, concentrated detergents, bleaches or cleansers containing petroleum products on plastic parts, interior doors, gaskets or cabinet liners. Do not use paper towels, metallic scouring pads, or other abrasive cleaning materials or strong alkaline solutions.



## IMPORTANT

If you store or move your refrigerator in freezing temperatures, be sure to completely drain the water supply system. Failure to do so could result in water leaks when the refrigerator is put back into service. Contact a service representative to perform this operation.



## NOTE

If you set your temperature controls to turn off cooling, power to lights and other electrical components will continue until you unplug the power cord from the wall outlet.



## CAUTION

- Pull the refrigerator straight out to move it. Shifting it from side to side may damage flooring. Be careful not to move the refrigerator beyond the plumbing connections.
- Damp objects stick to cold metal surfaces. Do not touch refrigerated surfaces with wet or damp hands.



# CARE & CLEANING

Care & Cleaning Tips		
Part	What To Use	Tips and Precautions
Interior & Door Liners	<ul style="list-style-type: none"> <li>• Soap and water</li> <li>• Baking soda and water</li> </ul>	Use 2 tablespoons of baking soda in 1 quart of warm water. Be sure to wring excess water out of sponge or cloth before cleaning around controls, light bulb or any electrical part.
Door Gaskets	<ul style="list-style-type: none"> <li>• Soap and water</li> </ul>	Wipe gaskets with a clean soft cloth.
Drawers & Bins	<ul style="list-style-type: none"> <li>• Soap and water</li> </ul>	Use a soft cloth to clean drawer runners and tracks.
Glass Shelves	<ul style="list-style-type: none"> <li>• Soap and water</li> <li>• Glass cleaner</li> <li>• Mild liquid sprays</li> </ul>	Allow glass to warm to room temperature before immersing in warm water.
Toe Grille	<ul style="list-style-type: none"> <li>• Soap and water</li> <li>• Mild liquid sprays</li> <li>• Vacuum attachment</li> </ul>	Vacuum dust from front of toe grille. Remove toe grille (see Installation Instructions). Vacuum backside, wipe with sudsy cloth or sponge. Rinse and dry.
Exterior & Handles	<ul style="list-style-type: none"> <li>• Soap and water</li> <li>• Non Abrasive Glass Cleaner</li> </ul>	Do not use commercial household cleaners containing ammonia, bleach or alcohol to clean handles. Use a soft cloth to clean smooth handles. DO NOT use a dry cloth to clean smooth doors.
Exterior & Handles (Stainless Steel Models Only)	<ul style="list-style-type: none"> <li>• Soap and water</li> <li>• Stainless Steel Cleaners</li> </ul>	<p>Never use CHLORIDE or cleaners with bleach to clean stainless steel.</p> <p>Clean stainless steel front and handles with non-abrasive soapy water and a dishcloth. Rinse with clean water and a soft cloth. Use a non-abrasive stainless steel cleaner. These cleaners can be purchased at most home improvement or major department stores. Always follow manufacturer's instructions. Do not use household cleaners containing ammonia or bleach.</p> <p>NOTE: Always clean, wipe and dry with the grain to prevent scratching. Wash the rest of the cabinet with warm water and mild liquid detergent. Rinse well, and wipe dry with a clean soft cloth.</p>
Replacing Light Bulbs	<ul style="list-style-type: none"> <li>• Unplug refrigerator</li> <li>• Wear gloves</li> <li>• Remove light cover</li> <li>• Replace old bulb</li> <li>• Replace light cover</li> <li>• Plug in the refrigerator</li> </ul>	CAUTION: Wear gloves when replacing light bulbs to avoid getting cut. Use same wattage when replacing bulb

# BEFORE YOU CALL

1-800-944-9044 (United States)  
1-800-265-8352 (Canada)

Visit our web site at  
[www.frigidaire.com](http://www.frigidaire.com).

<b>Common Occurrences</b>	Before calling for service, review this list. It may save you time and expense. This list includes common occurrences that are not the result of defective workmanship or materials in this appliance.
Refrigerator does not run.	<ul style="list-style-type: none"> <li>• Ensure plug is tightly pushed into electrical outlet.</li> <li>• Check/replace fuse with a 15 amp time-delay fuse. Reset circuit breaker.</li> <li>• The refrigerator/freezer control is turned to "0" (Mechanical controls) or "OFF" (Electronic controls).</li> <li>• Refrigerator may be in defrost cycle. Wait 20 minutes and check again.</li> </ul>
Freezer temperature is colder than preferred. Refrigerator temperature is satisfactory.	<ul style="list-style-type: none"> <li>• Set auxiliary freezer control to a warmer setting until freezer temperature is satisfactory. Allow 24 hours for the temperature to stabilize.</li> </ul>
Refrigerator temperature is too cold. Freezer temperature is satisfactory.	<ul style="list-style-type: none"> <li>• Set refrigerator/freezer control to a warmer setting. Allow 24 hours for temperature to stabilize. Then check freezer temperatures and adjust as needed.</li> </ul>
Freezer temperature is warmer than preferred. Refrigerator temperature is satisfactory.	<ul style="list-style-type: none"> <li>• Set auxiliary freezer control to a colder setting until freezer temperature is satisfactory. Allow 24 hours for the temperature to stabilize.</li> </ul>
Refrigerator temperature is too warm. Freezer temperature is satisfactory.	<ul style="list-style-type: none"> <li>• Set refrigerator/freezer control to a colder setting. Allow 24 hours for temperature to stabilize. Then check refrigerator temperatures and adjust as needed.</li> </ul>
Refrigerator is noisy or vibrates.	<ul style="list-style-type: none"> <li>• The cabinet is not level.</li> <li>• Floor is weak.</li> <li>• See Normal Operating Sounds and Sights section.</li> </ul>
Odors in refrigerator.	<ul style="list-style-type: none"> <li>• Interior needs to be cleaned.</li> <li>• Foods that produce odors should be covered or wrapped.</li> </ul>
Cabinet light not working.	<ul style="list-style-type: none"> <li>• Replace light bulb.</li> <li>• Ensure plug is tightly pushed into electrical outlet.</li> <li>• Light switch may be stuck. Push in light switch, located on the refrigerator control box, to release.</li> </ul>
Automatic ice maker not working (some models)	<ul style="list-style-type: none"> <li>• Ensure the wire signal arm is not in UP position.</li> <li>• Ice maker should produce 2.5 to 3 pounds of ice in a 24 hour period.</li> <li>• Water supply is turned off.</li> <li>• Water pressure is too low.</li> <li>• The freezer is not cold enough.</li> </ul>
Refrigerator makes beeping sound.	<ul style="list-style-type: none"> <li>• Close door.</li> <li>• Press light switch.</li> </ul>

# MAJOR APPLIANCE WARRANTY

Your appliance is covered by a one year limited warranty. For one year from your original date of purchase, Electrolux will pay all costs for repairing or replacing any parts of this appliance that prove to be defective in materials or workmanship when such appliance is installed, used and maintained in accordance with the provided instructions.

## Exclusions

### This warranty does not cover the following:

1. Products with original serial numbers that have been removed, altered or cannot be readily determined.
2. Product that has been transferred from its original owner to another party or removed outside the USA or Canada.
3. Rust on the interior or exterior of the unit.
4. Products purchased "as-is" are not covered by this warranty.
5. Food loss due to any refrigerator or freezer failures.
6. Products used in a commercial setting.
7. Service calls which do not involve malfunction or defects in materials or workmanship, or for appliances not in ordinary household use or used other than in accordance with the provided instructions.
8. Service calls to correct the installation of your appliance or to instruct you how to use your appliance.
9. Expenses for making the appliance accessible for servicing, such as removal of trim, cupboards, shelves, etc., which are not a part of the appliance when it is shipped from the factory.
10. Service calls to repair or replace appliance light bulbs, air filters, water filters, other consumables, or knobs, handles, or other cosmetic parts.
11. Surcharges including, but not limited to, any after hour, weekend, or holiday service calls, tolls, ferry trip charges, or mileage expense for service calls to remote areas, including the state of Alaska.
12. Damages to the finish of appliance or home incurred during installation, including but not limited to floors, cabinets, walls, etc.
13. Damages caused by: services performed by unauthorized service companies; use of parts other than genuine Electrolux parts or parts obtained from persons other than authorized service companies; or external causes such as abuse, misuse, inadequate power supply, accidents, fires, or acts of God.

## DISCLAIMER OF IMPLIED WARRANTIES; LIMITATION OF REMEDIES

CUSTOMER'S SOLE AND EXCLUSIVE REMEDY UNDER THIS LIMITED WARRANTY SHALL BE PRODUCT REPAIR OR REPLACEMENT AS PROVIDED HEREIN. CLAIMS BASED ON IMPLIED WARRANTIES, INCLUDING WARRANTIES OF MERCHANTABILITY OR FITNESS FOR A PARTICULAR PURPOSE, ARE LIMITED TO ONE YEAR OR THE SHORTEST PERIOD ALLOWED BY LAW, BUT NOT LESS THAN ONE YEAR. ELECTROLUX SHALL NOT BE LIABLE FOR CONSEQUENTIAL OR INCIDENTAL DAMAGES SUCH AS PROPERTY DAMAGE AND INCIDENTAL EXPENSES RESULTING FROM ANY BREACH OF THIS WRITTEN LIMITED WARRANTY OR ANY IMPLIED WARRANTY. SOME STATES AND PROVINCES DO NOT ALLOW THE EXCLUSION OR LIMITATION OF INCIDENTAL OR CONSEQUENTIAL DAMAGES, OR LIMITATIONS ON THE DURATION OF IMPLIED WARRANTIES, SO THESE LIMITATIONS OR EXCLUSIONS MAY NOT APPLY TO YOU. THIS WRITTEN WARRANTY GIVES YOU SPECIFIC LEGAL RIGHTS. YOU MAY ALSO HAVE OTHER RIGHTS THAT VARY FROM STATE TO STATE.

## If You Need Service

Keep your receipt, delivery slip, or some other appropriate payment record to establish the warranty period should service be required. If service is performed, it is in your best interest to obtain and keep all receipts. Service under this warranty must be obtained by contacting Electrolux at the addresses or phone numbers below.

This warranty only applies in the USA and Canada. In the USA, your appliance is warranted by Electrolux Major Appliances North America, a division of Electrolux Home Products, Inc. In Canada, your appliance is warranted by Electrolux Canada Corp. Electrolux authorizes no person to change or add to any obligations under this warranty. Obligations for service and parts under this warranty must be performed by Electrolux or an authorized service company. Product features or specifications as described or illustrated are subject to change without notice.

## USA

**1.800.944.9044**

Frigidaire  
10200 David Taylor Drive  
Charlotte, NC 28262

## Canada

**1.800.265.8352**

Electrolux Canada Corp.  
5855 Terry Fox Way  
Mississauga, Ontario, Canada  
L5V 3E4

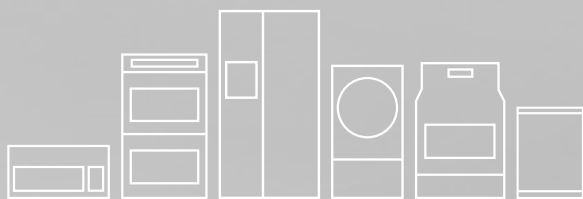


# FRIGIDAIRE

Todo acerca del

# uso y cuidado

de su refrigerador



## ÍNDICE

Instrucciones importantes de seguridad .....	2	Controles.....	13
Instalación.....	4	Sonidos y señales normales de funcionamiento	15
Instrucciones de desinstalación de la puerta.....	6	Cuidado y limpieza .....	16
Maneje Instalación .....	8	Antes de solicitar servicio técnico .....	18
Conexión del suministro de agua .....	10	Garantía de los electrodomésticos grandes.....	19
Suministro de hielo.....	12		

# INSTRUCCIONES IMPORTANTES DE SEGURIDAD




## ADVERTENCIA

Lea todas las instrucciones antes de usar este refrigerador.

## Para su seguridad

- NO almacene ni utilice gasolina ni otros líquidos inflamables en las inmediaciones de este o cualquier otro artefacto. Lea las etiquetas de los productos para informarse sobre la combustibilidad y otros peligros.
- NO haga funcionar el refrigerador en la presencia de vapores explosivos.
- Evite cualquier contacto con las piezas móviles del fabricante automático de hielo.
- Quite todas las grapas de la caja de cartón. Las grapas pueden causar cortes graves y dañar los acabados si entran en contacto con otros artefactos o muebles.

## Definiciones

 Este es el símbolo de alerta de seguridad. Se usa para alertar sobre peligros potenciales de lesiones personales. Obedezca todos los mensajes de seguridad que tengan este símbolo para evitar posibles lesiones personales o la muerte.



## PELIGRO

PELIGRO indica una situación de peligro inminente que, si no se evita, podría causar lesiones graves o la muerte.



## ADVERTENCIA

ADVERTENCIA indica una situación potencialmente peligrosa que, si no se evita, podría causar lesiones personales graves o la muerte.



## PRECAUCIÓN

PRECAUCIÓN indica una situación potencialmente peligrosa que, si no se evita, podría causar lesiones personales leves o moderadas.



## IMPORTANTE

IMPORTANTE indica información de instalación, funcionamiento o mantenimiento que es importante, pero que no está relacionada con la seguridad.



## Lista de verificación de instalación

### Puertas

- Las manijas están firmemente instaladas.
- La puerta se cierra bien contra el refrigerador en todos los costados.
- La puerta del congelador está nivelada en la parte superior.

### Nivelación

- El refrigerador está nivelado de lado a lado e inclinado  $\frac{1}{4}$ " (6 mm) de adelante hacia atrás.
- La rejilla inferior está firmemente instalada en el refrigerador.
- El refrigerador descansa firmemente sobre sus cuatro esquinas.

### Suministro eléctrico

- El suministro eléctrico del hogar está activado.
- El refrigerador está enchufado.

### Fabricador de hielo

- El suministro de agua está conectado al refrigerador.
- No hay escapes en ninguna de las uniones; vuelva a verificar a las 24 horas.
- El fabricante de hielo está ENCENDIDO.
- El distribuidor de hielo y agua funciona correctamente.
- El filtro delantero debe estar al ras del alojamiento del filtro (algunos modelos).

### Inspección final

- Material de empaque removido.
- Temperaturas del refrigerador y congelador programadas.
- Controles de humedad del cajón para verduras programados.
- Tarjeta de registro enviada.

## Seguridad de los niños

Destruya o recicle inmediatamente la caja de cartón, las bolsas de plástico y cualquier otro material de empaque exterior después de que el refrigerador sea desempacado. Los niños nunca deben jugar con estos objetos. Las cajas de cartón cubiertas con alfombras, colchas, hojas de plástico o envolturas elastizadas y cualquier otro material de empaque pueden convertirse en cámaras sin aire y causar asfixia rápidamente.

## Cómo desechar adecuadamente los refrigeradores y congeladores

### Riesgo de que los niños queden atrapados

Los riesgos de que los niños queden atrapados o sufran asfixia al jugar dentro de un refrigerador

# INSTRUCCIONES IMPORTANTES DE SEGURIDAD

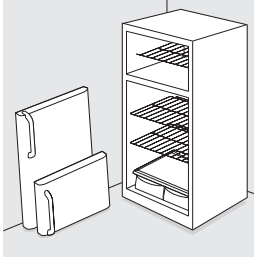
no son problemas del pasado. Los refrigeradores o congeladores desechados o abandonados todavía son peligrosos, aun cuando se dejen abandonados "solo por algunos días". Si se va a deshacer de su refrigerador o congelador usado, siga las instrucciones a continuación para evitar accidentes.

## Cómo desechos adecuadamente los refrigeradores y congeladores

Recomendamos usar métodos de reciclaje y eliminación responsables. Consulte con su compañía eléctrica local o visite [www.recyclemyoldfridge.com](http://www.recyclemyoldfridge.com) para obtener más información sobre cómo reciclar su refrigerador viejo.

### Antes de deshacerse de su refrigerador / congelador viejo:

- Retire las puertas.
- Deje las bandejas en su lugar, de modo que los niños no puedan entrar con facilidad en este espacio interior.
- Solicite a un técnico de servicio calificado que retire el refrigerante.



## ADVERTENCIA

Se deben seguir estas instrucciones para asegurarse de que los mecanismos de seguridad de este refrigerador funcionen correctamente.

## Información eléctrica

- El refrigerador debe enchufarse en su propio y exclusivo tomacorriente eléctrico de 115 voltios, 60 Hz, 15 Amp, CA solamente. El cordón eléctrico está equipado con un enchufe de tres clavijas con conexión a tierra para su protección contra riesgos de choque eléctrico. Debe enchufarse directamente en un tomacorriente para tres clavijas debidamente puesto a tierra. El tomacorriente debe ser instalado de acuerdo con los códigos y reglamentos locales. Consulte a un electricista calificado. Evite conectar el refrigerador a un circuito de interruptor de falla de conexión a tierra (GFI). No use un cable de extensión ni un adaptador.
- Si se daña el cordón eléctrico, debe ser reemplazado por un técnico de servicio calificado, a fin de evitar cualquier riesgo.
- Nunca desenchufe el refrigerador tirando del cordón eléctrico. Siempre sujete firmemente el enchufe y tire en dirección recta hacia afuera del tomacorriente, para evitar dañar el cordón eléctrico.
- Desenchufe el refrigerador antes de la limpieza y antes de reemplazar una bombilla, para evitar sufrir un choque eléctrico.

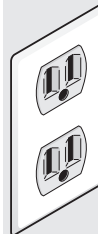
- Una variación de voltaje de 10% o más puede afectar el rendimiento del refrigerador. Si el refrigerador funciona con energía insuficiente, se puede dañar el compresor. Este daño no está cubierto por la garantía.
- No enchufe el refrigerador a un tomacorriente controlado por un interruptor de pared o de cordón, pues el refrigerador puede apagarse accidentalmente.



## IMPORTANTE

Si gira los controles Congelador y Alimentos frescos a «0» (controles mecánicos) u «OFF» (controles electrónicos) se apagará el sistema de refrigeración, pero no se desconectará la alimentación eléctrica de la lámpara ni de otros componentes eléctricos. Para desconectar la alimentación eléctrica del frigorífico, debe desenchufar el cable eléctrico de la toma de corriente.

Tomacorriente con puesta a tierra



**No corte, retire ni deshabilite la clavija de conexión a tierra bajo ninguna circunstancia.**



Cordón eléctrico de 3 clavijas con puesta a tierra



## PRECAUCIÓN

Para evitar lesiones personales o daños a la propiedad, manipule las bandejas de vidrio templado con cuidado. Las bandejas se pueden romper repentinamente si se golpean, rayan o exponen a cambios repentinos de temperatura.



## IMPORTANTE

Es posible que su frigorífico antiguo cuente con un sistema de refrigeración que utilice CFC o HCFC (clorofluorocarburos o hidroclorofluorocarburos). Se considera que si los CFC y HCFC se emiten a la atmósfera pueden dañar el ozono estratosférico. Es posible que otros refrigerantes también perjudiquen el medio ambiente si se emiten a la atmósfera.

En caso de que vaya a tirar su frigorífico antiguo, asegúrese de que un técnico cualificado se encarga de retirar el refrigerante para su correcta eliminación. Si emite refrigerantes de manera intencionada, puede ser objeto de multas o encarcelamiento conforme a las disposiciones de la legislación en materia de medio ambiente.

# INSTALACIÓN

Esta Guía de uso y cuidado le proporciona instrucciones de funcionamiento generales sobre su modelo. Use su refrigerador solamente como en ella se indica. Antes de encender el refrigerador, siga estos importantes primeros pasos.

## Ubicación

- Elija un lugar que se encuentre próximo a un tomacorriente con conexión a tierra. No utilice un cable de extensión ni un adaptador.
- Si es posible, coloque el refrigerador en un lugar donde no reciba luz solar directa. Colóquelo lejos de la estufa, del lavavajillas o de cualquier otra fuente de calor.
- El refrigerador debe ser instalado en un piso que tenga la superficie nivelada y que resista el peso del refrigerador completamente cargado.
- Tenga en cuenta la disponibilidad de suministro de agua en aquellos modelos que incluyan un fabricante automático de hielo. Si no conecta el agua a su refrigerador, recuerde apagar el fabricante de hielo.



## PRECAUCIÓN

No instale el refrigerador en lugares donde la temperatura descienda de los 55°F (13°C) o se eleve por encima de los 110°F (43°C). El compresor no podrá mantener las temperaturas adecuadas dentro del refrigerador.

No bloquee la rejilla inferior en la parte delantera de la base del refrigerador. Se necesita circulación suficiente de aire para asegurar el funcionamiento adecuado del refrigerador.

## Instalación

### Espacios libres para la instalación

- Deje los siguientes espacios libres para facilitar la instalación del refrigerador, la circulación adecuada del aire y las conexiones eléctricas y de plomería:

Costados y parte superior ¾ pulgada

Parte trasera 1 pulgada (2,54 cm)



## NOTA

Si instala su refrigerador con las bisagras contra una pared, es posible que deba dejar un mayor espacio libre para poder abrir la puerta completamente.

### Consejos para la colocación del refrigerador en su ubicación final:

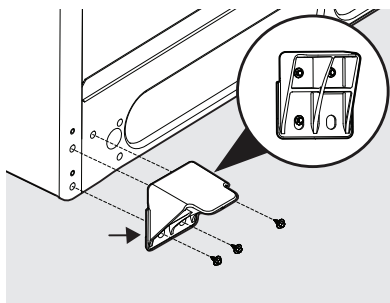
- Las cuatro esquinas de la unidad deben descansar firmemente sobre el piso.

- La unidad debe estar nivelada en la parte delantera y trasera.
- Los costados deben estar inclinados ¼" (6 mm) de adelante hacia atrás (para asegurarse de que las puertas cierren adecuadamente).
- Las puertas deben alinearse una con la otra y ser plano.

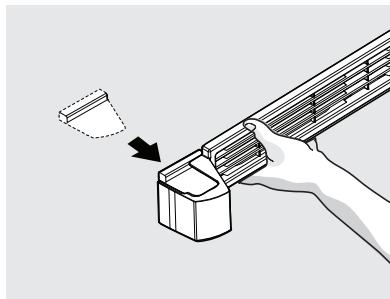
Las puertas deben estar alineadas la una con la otra y estar niveladas.

### Para instalar la rejilla de dedo:

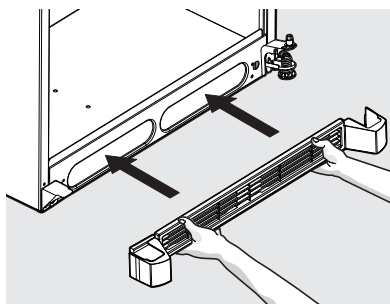
1. Atornille la escuadra de soporte de la rejilla inferior al frigorífico con los 3 tornillos que le proporcionamos.



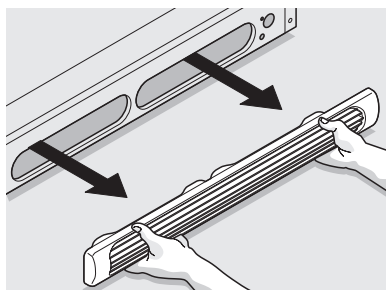
2. Encaje la tapa izquierda en la ranura situada a la izquierda de la rejilla.



3. Coloque la rejilla en la parte inferior del frigorífico.







algunos modelos

## Para nivelar el frigorífico mediante las ruedas frontales:

- 1 Extraiga la rejilla inferior (figura 1).
- 2 Use un destornillador plano o una llave de vaso de  $3/8''$  para elevar o rebajar las ruedas frontales (figura 2).

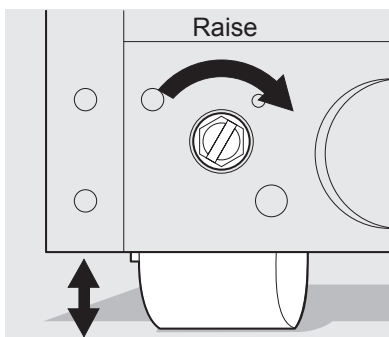


Figura 2

- 3 Use una llave inglesa para ajustar los tornillos de nivelación. Afloje los tornillos de nivelación de ambos lados en el sentido de las agujas del reloj hasta que toquen el suelo (figura 3).

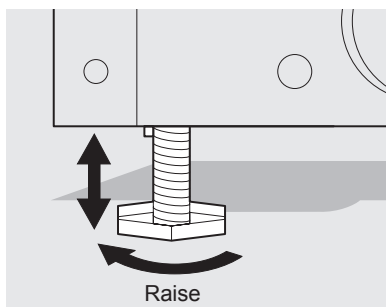
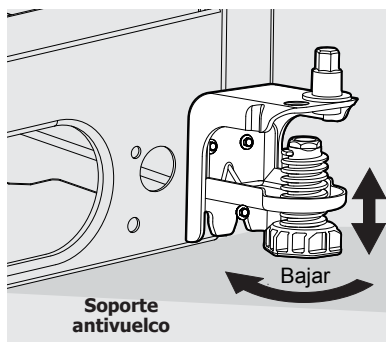


Figura 3

## NOTA

Eleve la parte delantera del refrigerador lo suficiente como para que las puertas se cierren automáticamente cuando sean abiertas hasta la mitad. El refrigerador debe tener una inclinación de  $1/4''$  a  $1/2''$  (de medio centímetro a un centímetro y medio, aproximadamente) desde el frente hacia atrás. Luego nivele el refrigerador de lado a lado.

- 4 Algunos modelos están equipados de soporte antivuelco (figura 4). Aflojelo en sentido de las agujas del reloj hasta que toque el suelo.



Soporte antivuelco

Figura 4 (algunos modelos)



## ADVERTENCIA



El soporte antivuelco debe instalarse siguiendo las instrucciones del Manual de uso y mantenimiento; de lo contrario, se corre riesgo de lesión.



## WARNING

### Al invertir el columpio de puerta:

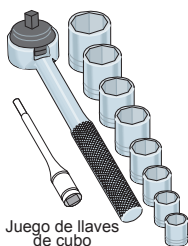
Debe mover el corchete anti punta para alinear con las bisagras de la puerta. Fracaso para hacer así tendrá como resultado herida.

# INSTRUCCIONES DE DESINSTALACIÓN DE LA PUERTA

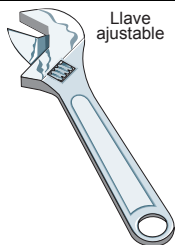
## Herramientas necesarias:



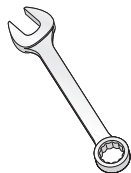
Destornillador de punta Philips<sup>MR</sup>



Juego de llaves de cubo



Llave ajustable



Llave fija de 3/8"



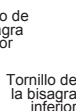
Tornillo delantero de la cubierta de la bisagra superior



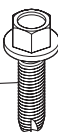
Tornillo trasero de la cubierta de la bisagra superior



Tornillo de la bisagra superior



Tornillo de la bisagra inferior



## NOTA

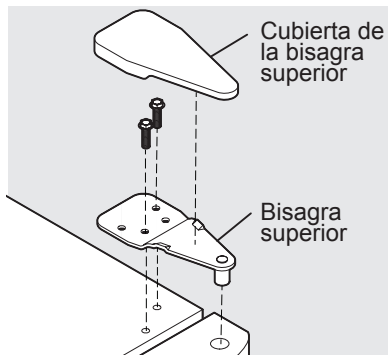
La dirección en la que se abre la puerta del refrigerador (giro de la puerta) puede ser invertida de izquierda a derecha o de derecha a izquierda cambiando las bisagras de la puerta de un lado al otro. La inversión de la dirección de apertura de la puerta debe ser realizada por una persona calificada.

## IMPORTANTE

Antes de comenzar, gire el control de temperatura del frigorífico a «0» (controles mecánicos) u «OFF» (controles electrónicos) y retire el cable eléctrico de la toma de corriente de la pared. Retire los alimentos de los estantes de la puerta.

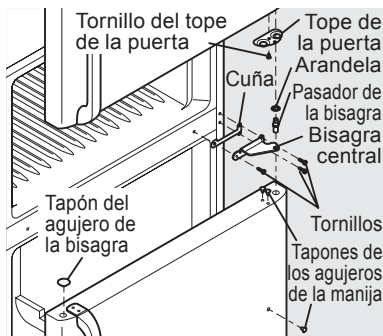
## Instrucciones de desinstalación e inversión de la puerta:

1. Extraiga la rejilla inferior.
2. Retire la cubierta de la bisagra superior. Marque alrededor de la bisagra con un lápiz de punta suave. Esto facilita la reinstalación. Retire la bisagra superior y levante la puerta del pasador de la bisagra central. Coloque la puerta a un lado.



3. Desatornille el pasador de la bisagra central usando una llave ajustable y consérvelo para la

- reinstalación. Asegúrese de que la arandela de plástico permanezca en el pasador de la bisagra.
4. Levante la puerta para sacarla de la bisagra inferior y déjela a un lado.
5. Retire la bisagra central y la cuña retirando el tornillo interior y aflojando los dos tornillos externos lo suficiente para permitir que la bisagra y la cuña se deslicen para sacarlas. Apriete los tornillos.
6. Afloje los dos tornillos externos en el lado opuesto del electrodoméstico, retire el tornillo interior e instale la bisagra central.



# INSTRUCCIONES DE DESINSTALACIÓN DE LA PUERTA

7. Retire los tres tornillos de la bisagra inferior y corchete anti punta (si equipado) con una llave de cubo de  $\frac{3}{8}$ ".
8. Instale la bisagra inferior y corchete anti punta (si equipado) en el lado opuesto con los dos tornillos removidos en el paso 7.
9. Desatornille el pasador de la bisagra inferior usando la llave ajustable. Mueva el pasador de la bisagra al otro agujero de la bisagra y apriete usando la llave ajustable.
10. Invierta las manijas de las puertas (vea las instrucciones en la próxima página).
11. Mueva los topes de la puerta del congelador y del refrigerador al lado opuesto. Antes de comenzar a atornillar, use un punzón para perforar la espuma.
12. Coloque la puerta del refrigerador sobre el pasador de la bisagra inferior y atornille el pasador de la bisagra central a través de la bisagra central y hacia el interior de la parte superior de la puerta. Cierre la puerta del refrigerador para ayudar a alinear el agujero de la bisagra.
13. Apriete el pasador central con una llave ajustable.
14. Retire los tapones de los agujeros de la bisagra y el gabinete y muévalos al lado opuesto.
15. Baje la puerta del congelador sobre el pasador central.
16. Cierre la puerta del congelador. Pídale a un asistente que levante el lado opuesto de la puerta mientras aprieta los tornillos para instalar la bisagra superior.
17. Hay dos coberturas de rejilla de dedo proporcionados en su paquete de la literatura; uno para el lado correcto y para uno para el lado izquierdo. Instale la cobertura apropiada sobre la apertura en el lado frente al corchete anti punta, (vea las Figuras A & B).



## NOTE

En caso de futuras reversiones de puerta, salvo la cobertura de rejilla de dedo para no ser utilizado.

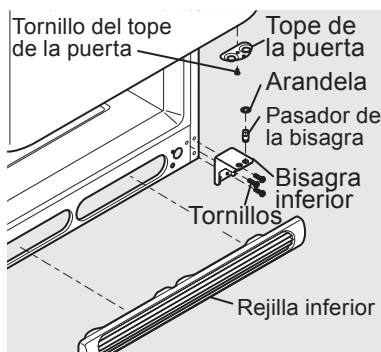
18. Eche al aire rejilla de dedo y vuelva a instalar (algunos modelos).
19. Conecte cable de alimentación eléctrico y control de temperatura de frigorífico de vuelta para centrar posición. Ajuste poniendo como sea necesario.



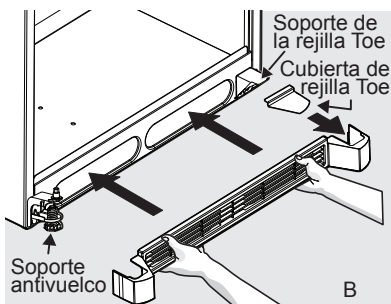
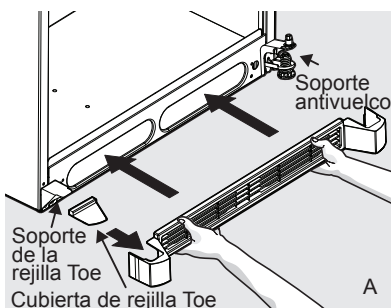
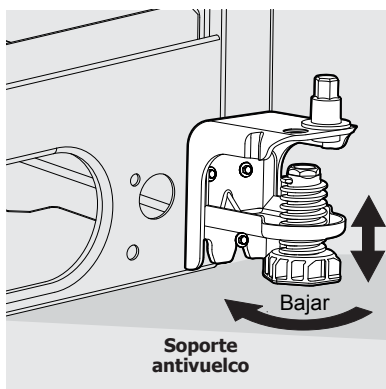
## WARNING

### Al invertir el columpio de puerta:

Debe mover el corchete anti punta para alinear con las bisagras de la puerta e instalar el apoyo de rejilla de dedo para el blance apropiado. Fracaso para hacer así tendrá como resultado herida.



OR



# MANEJE INSTALACIÓN



## PRECAUCIÓN

Utilice guantes y proceda con suma PRECAUCIÓN al instalar estas manijas. Es posible que los extremos redondos de las manijas estén afilados.



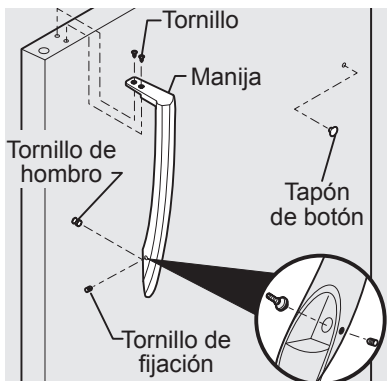
## IMPORTANTE

Para asegurarse de que la instalación de las manijas se realice correctamente, consulte detenidamente estas instrucciones e ilustraciones antes de proceder con la instalación de las manijas.

Asimismo, antes de realizar dicha instalación debe asegurarse de que la puerta gire (se abra/ se cierre) correctamente. Este modelo tiene una puerta que abre hacia la derecha o hacia la izquierda. En caso necesario, si desea invertir la orientación de la puerta, siga las instrucciones de la Guía de uso y cuidado al respecto.

### Para colocar la manija del refrigerador:

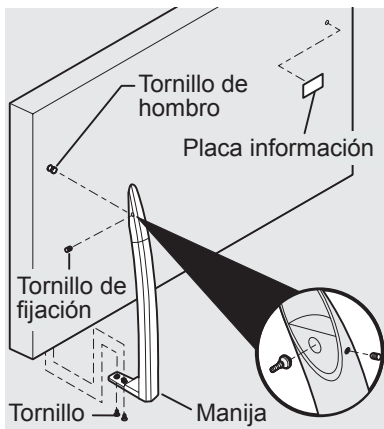
1. Coloque la parte redonda de la manija insertada en el tornillo de hombro de la cara de la puerta y alinee los 2 agujeros de la parte superior de la manija con los dos agujeros de la parte superior de la puerta. No apriete el tornillo insertado todavía.
2. Inserte los dos tornillos en la parte superior de la manija.
3. Apriete el tornillo de fijación en la parte redondeada de la manija hasta que la manija quede al ras de la puerta y luego apriételo 1/2 vuelta más.



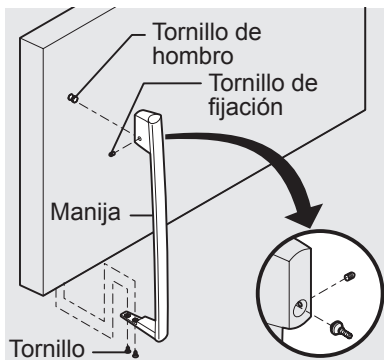
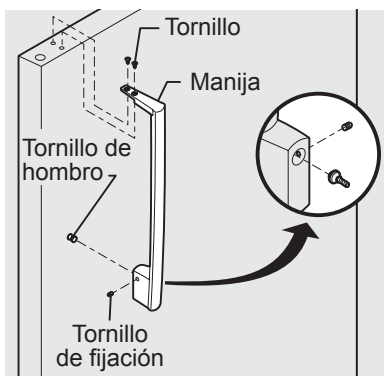
### Para colocar la manija del congelador:

1. Coloque la parte redonda de la manija insertada en el tornillo de hombro de la cara de la puerta y alinee los dos agujeros de la parte inferior de la manija con los dos agujeros de la parte inferior de la puerta. No apriete el tornillo insertado todavía.

2. Inserte los dos tornillos en la parte inferior de la manija.
3. Apriete el tornillo de fijación en la parte redondeada de la manija hasta que la manija quede al ras de la puerta y luego apriételo 1/2 vuelta más.



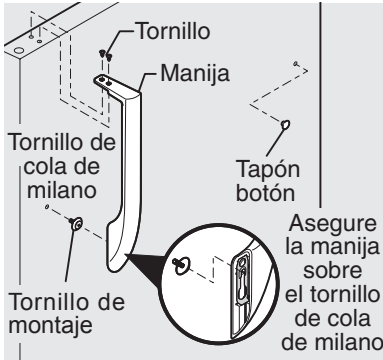
### El acero inoxidable modela



# MANEJE INSTALACIÓN

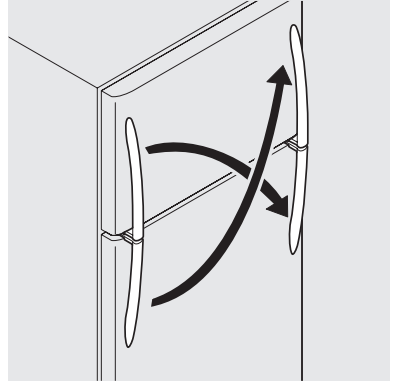
## Para colocar la manija del refrigerador:

1. Coloque la parte superior de la manija sobre el tornillo de cola de milano y tire de la manija hacia abajo hasta que esté alineada con los agujeros para tornillos de la parte superior de la puerta.
2. Fije la parte superior de la manija con los dos tornillos que retiró anteriormente.



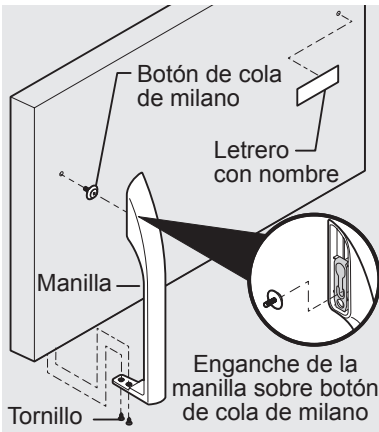
## Para invertir las manijas del refrigerador o del congelador:

Puede resultar más fácil invertir las manijas con las puertas desmontadas. Invierta las manijas del refrigerador y del congelador como se muestra en la imagen.



## Para colocar la manija del congelador:

1. Coloque la parte superior de la manija sobre el tornillo de cola de milano y tire de la manija hacia arriba hasta que esté alineada con los agujeros para tornillos de la parte inferior de la puerta.
2. Fije la parte inferior de la manija con los dos tornillos que retiró anteriormente.



## PRECAUCIÓN

Asegúrese de dejar las puertas en una posición segura para que no puedan caerse ni causar lesiones personales.

# CONEXIÓN DEL SUMINISTRO DE AGUA

## ADVERTENCIA

Para evitar descargas eléctricas, que podrían ocasionar la muerte o daños personales graves, desconecte el frigorífico de la corriente eléctrica antes de conectar la tubería de suministro de agua.

## PRECAUCIÓN

Para evitar daños materiales:

- Se recomienda utilizar una tubería de suministro de agua con tubos trenzados de cobre o acero inoxidable y evitar los tubos de plástico de 6,4 mm. La probabilidad de que se produzcan fugas de agua aumenta con los tubos de plástico. El fabricante no se responsabiliza de los daños ocasionados por el uso de tuberías con tubos de plástico.
- NO instale los tubos de suministro de agua en zonas en las que la temperatura descienda por debajo de la temperatura de congelación.
- Las sustancias químicas que genera un descalcificador averiado pueden dañar el sistema de fabricación de hielo. Si el sistema de fabricación de hielo está conectado a una toma de agua blanda, no olvide realizar el mantenimiento del descalcificador y verificar que funciona correctamente.

## IMPORTANTE

Asegúrese de que la tubería de suministro de agua se ha conectado conforme a los reglamentos de fontanería locales.

Antes de instalar la tubería de suministro de agua, se necesita lo siguiente:

- Herramientas básicas: llave inglesa, destornillador de hoja plana y destornillador de tornillo Phillips™.
- Una tubería de agua fría en la vivienda con presión de entre 30 y 100 psi
- Una tubería de suministro de agua con tubos de cobre o acero inoxidable de 6,4 mm de diámetro exterior. Para determinar la longitud que deben tener los tubos, mida la distancia que separa la cañería de agua fría de la válvula de admisión del sistema de fabricación de hielo que hay en la parte trasera del frigorífico. Súmele aproximadamente 2,1 metros para que sea posible mover el frigorífico para limpiarlo (como se muestra).
- Una llave de paso para conectar la tubería de suministro de agua al suministro de agua doméstico. NO utilice llaves de paso autopercutoras.

- No vuelva a utilizar los accesorios de compresión ni utilice cinta para sellar roscas.
- Una tuerca de compresión y un casquillo (manguito) para conectar la tubería de suministro de agua de cobre a la válvula de admisión del sistema de fabricación de hielo

## NOTA

Antes de instalar el frigorífico nuevo, es conveniente conocer las recomendaciones de las autoridades locales de la vivienda en materia de tuberías de agua y materiales utilizados. Dependiendo de las normas locales o estatales para la construcción, Frigidaire aconseja emplear la tubería **Smart Choice®** 5305513409 (tubo de acero inoxidable de 1,82 m) en viviendas que dispongan de llave de paso, y la tubería **Smart Choice®** 5305510264 (tubo de cobre de 6 m con válvula transversal autorroscantes) en los demás casos. Para obtener más información, visite [www.frigidaire.com/store](http://www.frigidaire.com/store).

Para conectar la tubería de suministro de agua a la válvula de admisión del sistema de fabricación de hielo

1. Desconecte el frigorífico de la toma de corriente.
2. Coloque el extremo de la tubería de suministro de agua en el fregadero o en un cubo. Abra el suministro de agua y deje que el agua fluya por la tubería hasta que salga limpia. Cierre el suministro de agua mediante la llave de paso.
3. Quite y deseche la tapa de plástico de la toma del grifo.
4. Si utiliza tubos de cobre, deslice la tuerca de compresión metálica, seguida del casquillo (manguito), en la tubería de suministro de agua. Encaje la tubería de suministro de agua en el grifo (6,4 mm). Deslice el casquillo (manguito) en la toma del grifo y apriete la tuerca de compresión en el grifo de forma manual. Luego utilice una llave para darle otra media vuelta, pero SIN apretarla en exceso. Consulte la Figura 1.  
  
Si utiliza tubos de acero inoxidable, la tubería ya tiene instaladas la tuerca y el casquillo. Deslice la tuerca de compresión en la toma del grifo y apriétela a mano en el grifo. Luego utilice una llave para darle otra media vuelta, pero SIN apretarla en exceso. Consulte la Figura 2.
5. Utilice la abrazadera de acero y el tornillo para fijar la tubería de suministro de agua (sólo tubos de cobre) al panel trasero del frigorífico, como se muestra.

# CONEXIÓN DEL SUMINISTRO DE AGUA

6. Enrolle 2 vueltas y media la tubería (sólo tubos de cobre) que sobre detrás del frigorífico, como se muestra, y disponga los tubos enrollados de manera que no vibren ni sufran desgaste en contacto con otras superficies.
7. Abra el suministro de agua mediante la llave de paso y apriete las conexiones por las que se produzcan fugas de agua.
8. Vuelva a conectar el frigorífico a la toma de corriente.
9. Encienda el sistema de fabricación de hielo. Baje la palanca de los circuitos (instalada en el lateral) o mueva el interruptor de encendido/apagado del sistema de fabricación de hielo hasta la posición "I" (en la parte trasera).

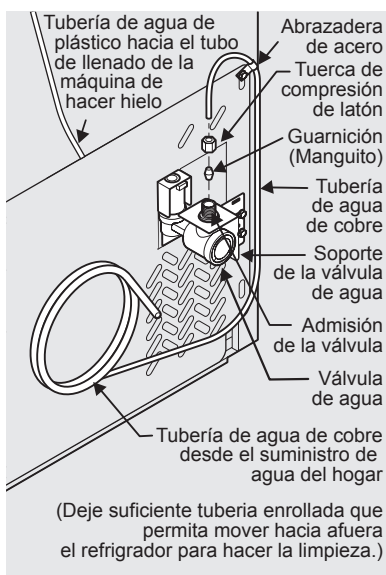


Figura 1

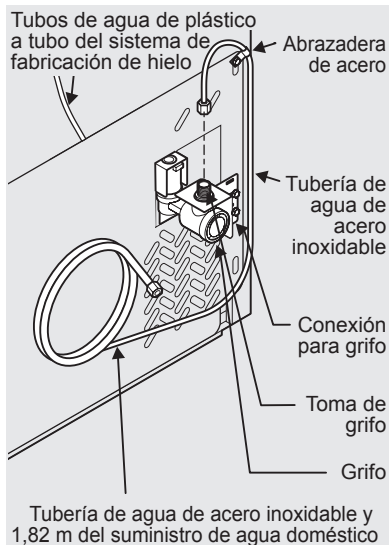


Figura 2

# SUMINISTRO DE HIELO

Si el frigorífico dispone de una máquina automática de hacer hielo, se producirá una cantidad mínima de hielo durante las primeras 24 horas de funcionamiento. El aire en las nuevas tuberías provocan que la máquina de hacer hielo entre en un ciclo dos o tres veces antes de producir una bandeja completa de hielo. Sin no se utiliza, tardará aproximadamente uno a dos días para llenar el recipiente de hielo.

Las conexiones nuevas del suministro de agua pueden hacer que los primeros cubos de hielo que se fabriquen estén descoloridos o tengan un sabor extraño. Deseche el hielo producido durante las primeras 24 horas.



## IMPORTANTE

La máquina de hacer viene con el brazo de señal de cable en la posición «ON» de fábrica. Con el fin de garantizar el funcionamiento correcto de la máquina de hacer hielo, debe enganchar el suministro de agua inmediatamente o apagar la máquina al levantar el brazo de señal de cable hasta que haga un clic y se trabe en la posición «UP». Si la máquina está encendida y no se conecta el suministro de agua, la válvula de agua hará un ruido fuerte de castañeteo.



## NOTA

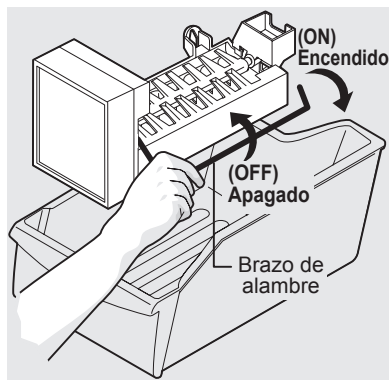
Los fabricantes automáticos de hielo también son accesorios adicionales que pueden ser instalados en la mayoría de los modelos en cualquier momento. Llame a su distribuidor local para obtener mayor información.

## Encendido del fabricante de hielo

Después de que se hayan realizado las conexiones de las tuberías de agua, se debe abrir la válvula de suministro de agua. Coloque el depósito de hielo debajo del fabricante de hielo lo más atrás posible. Baje el brazo de alambre a su posición inferior o "ENCENDIDO" (ON).

## Apagado del fabricante de hielo

Para apagar el fabricante de hielo, levante el brazo de alambre hasta que se bloquee en la posición superior o de APAGADO ("OFF"). El fabricante de hielo también se apaga automáticamente cuando se llena el depósito de hielo.





## Período de enfriamiento

Para garantizar un almacenamiento de alimentos seguro, deje que el frigorífico opere con las puertas cerradas durante al menos 8-12 horas antes de cargarlo con alimentos.

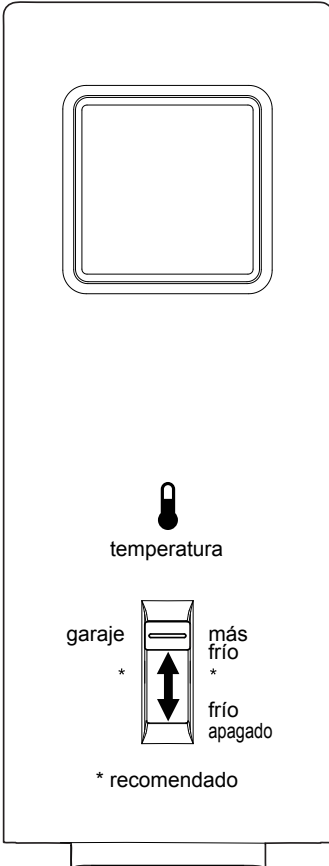
## Controles del refrigerador y congelador (algunos modelos)

### NOTA

Cuando encienda por primera vez el refrigerador, ajusta el control de refrigerador a la posición Normal. Este es el ajuste inicial recomendado. Después de 24 horas, ajuste los controles según sea necesario.

### NOTA

Si guarda el frigorífico en un garaje o en una zona con una temperatura por debajo de los 55°C, debe establecer el control de congelador al ajuste de máximo enfriamiento.



Control auxiliar del congelador

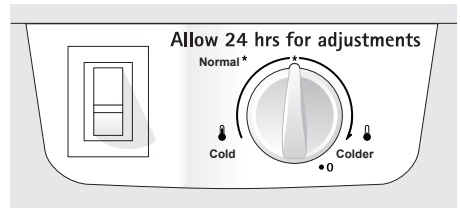
## Período de enfriamiento

Para garantizar un almacenamiento de alimentos seguro, deje que el frigorífico opere con las puertas cerradas durante al menos 8-12 horas antes de cargarlo con alimentos.

## Controles del refrigerador y congelador (algunos modelos)

### NOTA

Cuando encienda por primera vez el refrigerador, gire control a la posición Normal. Este es el ajuste inicial recomendado. Después de 24 horas, ajuste los controles según sea necesario.



Control del frigorífico/congelador

## Ajuste de la temperatura

- Ajuste la temperatura gradualmente: gire la perilla aumentando poco a poco el valor y espere hasta que la temperatura se estabilice.
- Para reducir la temperatura, realice el ajuste hacia "Colder".
- Para aumentar la temperatura, realice el ajuste hacia "Cold".

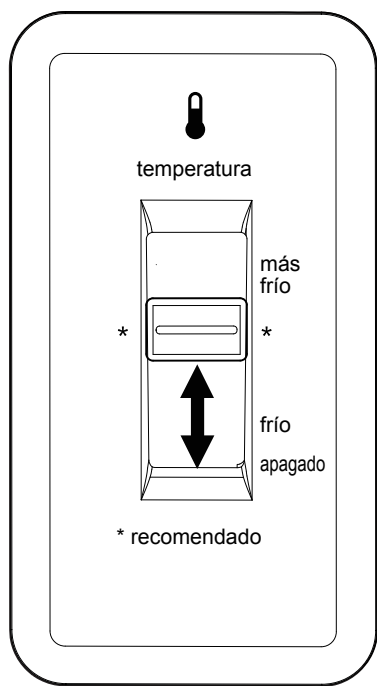
Cuando gire la perilla, cambiará la temperatura tanto control del frigorífico/congelador. El control auxiliar del congelador puede ser dejado en la preselección de la fábrica (Normal) o ajustado como deseado; no tiene efecto en el poder eléctrico al refrigerador.

Para mantener las temperaturas, un ventilador hace circular el aire en el refrigerador y congelador. Para mantener una buena circulación del aire, no bloquee los respiraderos de ventilación con alimentos.

## IMPORTANTE

Si gira el control del frigorífico/congelador a la posición "0", se apagará el compresor y el refrigerador no enfriará, pero no desconectará la corriente a la luz interior y a otros componentes eléctricos. Para apagar el refrigerador debe desenchufar el cable eléctrico del tomacorriente.

# CONTROLES



## Control del frigorífico/congelador

### Ajuste de la temperatura

- Ajuste la temperatura gradualmente: gire la perilla aumentando poco a poco el valor y espere hasta que la temperatura se estabilice.

Cuando gire la perilla, cambiará la temperatura tanto control del frigorífico/congelador. El control auxiliar del congelador puede ser dejado en la preselección de la fábrica (Normal) o ajustado como deseado; no tiene efecto en el poder eléctrico al refrigerador.

Para mantener las temperaturas, un ventilador hace circular el aire en el refrigerador y congelador. Para mantener una buena circulación del aire, no bloquee los respiraderos de ventilación con alimentos.



### IMPORTANTE

Si gira el control del frigorífico/congelador a la posición "off", se apagará el compresor y el refrigerador no enfriará, pero no desconectará la corriente a la luz interior y a otros componentes eléctricos. Para apagar el refrigerador debe desenchufar el cable eléctrico del tomacorriente.

# SONIDOS Y SEÑALES NORMALES DE FUNCIONAMIENTO

## Interpretación de sonidos que puede hacer su refrigerador

Su nuevo refrigerador de alta eficiencia puede generar sonidos que no le son familiares. Estos sonidos generalmente indican que su refrigerador está funcionando de manera correcta. Algunas superficies en los pisos, paredes y armarios de la cocina pueden aumentar el volumen de estos sonidos.



### NOTA

El aislamiento de espuma rígida ahorra energía, pero no es un buen aislante de sonido.

A continuación se incluye una lista de los principales componentes de su refrigerador y de los sonidos que pueden producir:

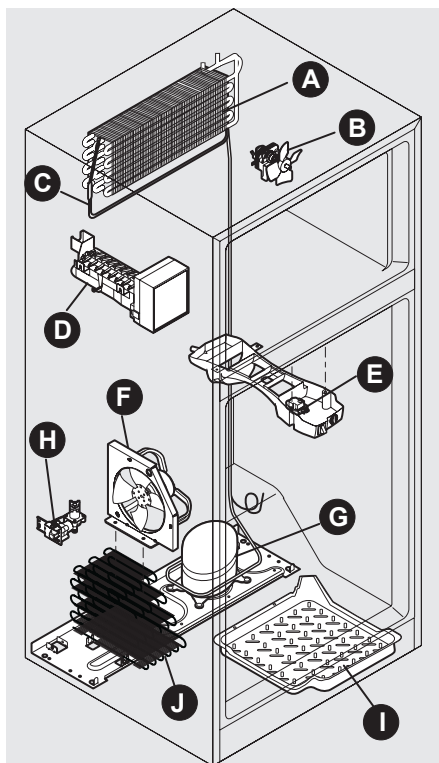
- A Evaporador: cuando el refrigerante pasa por el evaporador puede crear un sonido de hervor o gorgoteo.
- B Ventilador del evaporador: es posible que se escuche el aire cuando es expulsado a través del refrigerador por el ventilador del evaporador.
- C Calentador de descongelación: durante los ciclos de descongelación, el agua que gotea en el calentador de descongelación puede causar un sonido de chisporroteo o crepitación. Después de la descongelación puede producirse un ruido seco.



### IMPORTANTE

Durante el ciclo de descongelación automática, es posible que note un brillo rojo en los respiraderos de la pared trasera del congelador. Esto es normal durante el ciclo de descongelación.

- D Fabricador automático de hielo: cuando el hielo ha sido producido, se puede escuchar los cubos de hielo caer en el depósito de hielo.
- E Mando electrónico de descongelación: estas piezas pueden producir un ruido seco o un chasquido cuando se enciende y se apaga el sistema de enfriamiento.
- F Ventilador del condensador: se puede escuchar el aire cuando es expulsado a través del condensador.
- G Compresor: los compresores modernos de alta eficacia funcionan mucho más rápido que en el pasado. El compresor puede producir un zumbido agudo o un sonido pulsante.
- H Válvula de agua: produce un zumbido cada vez que se abre para llenar el fabricante de hielo.
- I Bandeja de desagüe (no extraíble): se puede escuchar el agua gotear en la bandeja durante el ciclo de descongelación.
- J Condensador: el aire forzado puede producir sonidos mínimos.



### IMPORTANT

Si la puerta de Alimentos Frescos se mantiene abierta durante más de 5 minutos, sonará una alarma. La alarma sonará durante 2 minutos. Si la puerta continúa entreabierta, la alarma sonará cada 30 minutos en dos intervalos.

Si la puerta permanece entreabierta durante más de 15 minutos, el indicador de Alimentos Frescos se apagará hasta que se cierre la puerta. El interruptor de Alimentos Frescos se puede pulsar y soltar para reajustar la alarma y la luz.

# CUIDADO Y LIMPIEZA

## Mantenimiento protector del electrodoméstico

El refrigerador debe mantenerse limpio para que conserve su aspecto y se evite la acumulación de olores. Limpie inmediatamente cualquier derrame y limpie el congelador y el refrigerador por lo menos dos veces al año. Durante la limpieza, tome las siguientes precauciones:

- Nunca use esponjas de restregar metálicas, escobillas, limpiadores abrasivos o soluciones alcalinas fuertes en ninguna de las superficies.
- Nunca limpie las superficies de acero inoxidable con CLORO o limpiadores que contengan blanqueadores.
- No lave ninguna pieza desmontable en el lavavajillas.
- Siempre desenchufe el cordón eléctrico del tomacorriente antes de la limpieza.
- Retire a mano las etiquetas adhesivas. No use hojas de afeitar ni ningún otro instrumento afilado que pueda rayar la superficie del electrodoméstico.
- No retire la placa de serie.

No use limpiadores abrasivos como rociadores limpiaventanas, limpiadores para restregar, líquidos inflamables, ceras limpiadoras, detergentes concentrados, blanqueadores o limpiadores que contengan productos derivados del petróleo en los componentes plásticos, puertas interiores o revestimientos del armazón del electrodoméstico. No use toallas de papel, esponjas de restregar o cualquier otro material abrasivo de limpieza.

## NOTA

Si ajusta los controles de temperatura para desactivar la refrigeración, el suministro eléctrico a las luces y otras piezas eléctricas permanecerán activados hasta que desenchufe el cordón eléctrico de la pared.

## PRECAUCIÓN

- Tire del refrigerador en dirección recta hacia afuera para moverlo. Si lo mueve de lado a lado puede dañar el revestimiento del piso. Tenga cuidado de no desplazar el refrigerador más allá de las conexiones de plomería.
- Los objetos húmedos se pegan en las superficies frías de metal. No toque la superficie refrigerada con las manos mojadas o húmedas.

## IMPORTANTE

Si usted almacena o mueve su refrigerador en temperaturas de congelación, asegúrese de desaguar completamente el sistema de suministro de agua. De lo contrario, pueden producirse escapes de agua cuando el refrigerador sea puesto de nuevo en funcionamiento. Póngase en contacto con un representante del servicio técnico para realizar esta operación.

# CUIDADO Y LIMPIEZA

Sugerencias para el cuidado y la limpieza		
Pieza	Qué usar	Sugerencias y precauciones
Interior y revestimiento de las puertas	<ul style="list-style-type: none"> <li>• Agua y jabón</li> <li>• Bicarbonato de sodio y agua</li> </ul>	Use 2 cucharadas de bicarbonato de sodio en 1 litro de agua tibia. Asegúrese de escurrir el excedente de agua de la esponja o paño antes de limpiar los controles, la bombilla o cualquier otra pieza eléctrica.
Juntas de la puerta	<ul style="list-style-type: none"> <li>• Agua y jabón</li> </ul>	Limpie las juntas con un paño limpio y suave.
Cajones y compartimientos	<ul style="list-style-type: none"> <li>• Agua y jabón</li> </ul>	Use un paño suave para limpiar los rodillos y rieles de los cajones. No lave ningún componente extraíble (compartimientos, cajones, etc.) en el lavavajillas.
Bandejas de vidrio	<ul style="list-style-type: none"> <li>• Agua y jabón</li> <li>• Limpiavidrios</li> <li>• Rociadores de líquidos suaves</li> </ul>	Espere a que el vidrio se entibie a temperatura ambiente antes de sumergirlo en agua tibia.
Rejilla inferior	<ul style="list-style-type: none"> <li>• Agua y jabón</li> <li>• Rociadores de líquidos suaves</li> <li>• Accesorio de la aspiradora</li> </ul>	Aspire el polvo de la parte delantera de la rejilla inferior. Retire la rejilla inferior (consulte las instrucciones de instalación). Aspire la parte trasera y límpiela con una esponja o un paño con jabón. Enjuague y seque.
Exterior y manijas	<ul style="list-style-type: none"> <li>• Agua y jabón</li> <li>• Limpiavidrios no abrasivo</li> </ul>	Para limpiar las manijas, no use limpiadores comerciales domésticos que contengan amoníaco, blanqueadores ni alcohol. Use un paño suave para limpiar las manijas lisas. NO limpie las puertas lisas con un paño seco.
Exterior y manijas (solo modelos de acero inoxidable)	<ul style="list-style-type: none"> <li>• Agua y jabón</li> <li>• Limpiadores de acero inoxidable</li> </ul>	<p>Nunca limpie las superficies de acero inoxidable con CLORO o limpiadores que contengan blanqueadores.</p> <p>Limpie la parte delantera y las manijas de acero inoxidable con un paño y agua jabonosa no abrasivos. Enjuague con agua limpia y un paño suave. Use un limpiador no abrasivo de acero inoxidable. Estos limpiadores pueden ser comprados en la mayoría de los grandes almacenes o de las tiendas de bricolaje. Siempre siga las instrucciones del fabricante. No use limpiadores domésticos que contengan amoníaco o blanqueadores.</p> <p>NOTA: siempre limpie y seque a favor del grano para evitar rasguños. Lave el resto del aparato con agua tibia y detergente líquido suave. Enjuague bien y seque con un paño suave y limpio.</p>
Reemplazo de las bombillas	<ul style="list-style-type: none"> <li>• Desconecte el refrigerador.</li> <li>• Use guantes como protección contra posibles vidrios rotos.</li> <li>• Retire la cubierta de la luz, si es necesario.</li> <li>• Desenrosque y reemplace la bombilla dañada con una bombilla para electrodomésticos de la misma potencia.</li> <li>• Vuelva a instalar la cubierta de la luz, si es necesario.</li> <li>• Recuerde enchufar nuevamente el refrigerador.</li> </ul>	PRECAUCIÓN Use guantes cuando reemplace las bombillas, para evitar cortaduras.

# ANTES DE SOLICITAR SERVICIO TÉCNICO

1-800-944-9044 (Estados Unidos)

1-800-265-8352 (Canadá)

Visite nuestro sitio en Internet:  
[www.frigidaire.com](http://www.frigidaire.com).

<b>INCIDENTES COMUNES</b>	Antes de solicitar servicio, revise esta lista. Al hacerlo, puede ahorrar tiempo y dinero. Esta lista incluye los incidentes más comunes que no son originados por el empleo de mano de obra o materiales defectuosos en este electrodoméstico.
El refrigerador no funciona.	<ul style="list-style-type: none"> <li>• Asegúrese de que el enchufe esté firmemente conectado al tomacorriente.</li> <li>• Verifique o reemplace el fusible con un fusible de acción retardada de 15 amp. Restablezca el disyuntor.</li> <li>• El control del frigorífico/congelador se establece en «0» (controles mecánicos) u «OFF» (controles electrónicos).</li> <li>• El refrigerador puede estar en el ciclo de descongelación. Espere 20 minutos y revise nuevamente.</li> </ul>
La temperatura del congelador está más fría que preferido. La temperatura del refrigerador es satisfactoria.	<ul style="list-style-type: none"> <li>• Gire el control auxiliar del congelador a un ajuste más tibio hasta que la temperatura del congelador sea satisfactoria. Espere 24 horas hasta que la temperatura se estabilice.</li> </ul>
La temperatura del refrigerador es demasiado fría. Temperatura satisfactoria del congelador.	<ul style="list-style-type: none"> <li>• Gire el control del frigorífico/congelador a un ajuste más tibio. Espere 24 horas hasta que la temperatura se estabilice. Luego revise la temperatura del congelador y ajústela como sea necesario.</li> </ul>
La temperatura del congelador está más tibia que preferido. La temperatura del refrigerador es satisfactoria.	<ul style="list-style-type: none"> <li>• Control auxiliar fijo de congelador a una colocación más fría hasta que temperatura de congelador sea satisfactoria. Espere 24 horas hasta que la temperatura se estabilice.</li> </ul>
La temperatura del refrigerador es demasiado tibia. La temperatura del congelador es satisfactoria.	<ul style="list-style-type: none"> <li>• Control fijo de frigorífico/congelador a una colocación más fría. Espere 24 horas hasta que la temperatura se estabilice. Entonces verifique temperaturas de frigorífico y ajuste como necesitado.</li> </ul>
El refrigerador hace ruido o vibra.	<ul style="list-style-type: none"> <li>• El refrigerador no está nivelado.</li> <li>• El piso es débil.</li> <li>• Vea la sección "Sonidos y señales normales de funcionamiento".</li> </ul>
Olores en el refrigerador.	<ul style="list-style-type: none"> <li>• Es necesario limpiar el interior.</li> <li>• Los alimentos que producen olores deben ser cubiertos o envueltos.</li> </ul>
La luz del refrigerador no funciona.	<ul style="list-style-type: none"> <li>• Reemplace la bombilla.</li> <li>• Asegúrese de que el enchufe esté firmemente conectado al tomacorriente.</li> <li>• El interruptor de la luz puede estar atascado. Oprima el interruptor de la luz que se encuentra en la caja de control del refrigerador para liberarlo.</li> </ul>
El fabricante automático de hielo no funciona (algunos modelos).	<ul style="list-style-type: none"> <li>• Asegúrese de que el brazo de alambre no esté en la posición SUPERIOR.</li> <li>• El fabricante de hielo produce entre 2,5 y 3 libras (entre 1,1 y 1,4 kg) de hielo en 24 horas.</li> <li>• El suministro de agua está cerrado.</li> <li>• La presión de agua es demasiado baja.</li> <li>• El congelador no está lo suficientemente frío.</li> </ul>

# GARANTÍA DE LOS ELECTRODOMÉSTICOS GRANDES

Su electrodoméstico está cubierto por una garantía limitada de un año. Durante un año a partir de la fecha original de compra, Electrolux cubrirá todos los costos de reparación o reemplazo de cualquier pieza de este electrodoméstico que se encuentre defectuosa en materiales o mano de obra, siempre que el electrodoméstico se instale, utilice y mantenga de acuerdo con las instrucciones proporcionadas.

## Exclusiones

### Esta garantía no cubre lo siguiente:

1. Productos cuyos números de serie originales hayan sido quitados, alterados o no puedan determinarse con facilidad.
2. Productos que hayan sido transferidos del dueño original a un tercero o que no se encuentren en los EE. UU. o en Canadá.
3. Óxido en el interior o exterior de la unidad.
4. Los productos comprados "como están" no están cubiertos por esta garantía.
5. Pérdida de alimentos por fallas del refrigerador o congelador.
6. Productos utilizados para fines comerciales.
7. Las llamadas de servicio que no involucren un mal funcionamiento o defectos de materiales o de mano de obra, o para electrodomésticos que no sean utilizados para uso doméstico normal o de acuerdo con las instrucciones proporcionadas.
8. Llamadas/solicitudes de servicio técnico para corregir errores de instalación del electrodoméstico o para obtener instrucciones sobre su uso.
9. Los gastos para hacer accesible el electrodoméstico a fin de repararlo, como por ejemplo la extracción de adornos, alacenas, estanterías, etc., que no formaban parte del electrodoméstico en el momento en que salió de la fábrica.
10. Llamadas de servicio para reparar o reemplazar bombillas, filtros de aire, filtros de agua, otros consumibles, perillas, manijas u otras piezas decorativas.
11. Costos adicionales que incluyen, sin limitación, cualquier llamada de servicio fuera de las horas de oficina, durante los fines de semana o días feriados, peajes, tarifas de transporte o gastos de traslado para llamadas de servicio en áreas remotas, incluyendo el estado de Alaska.
12. Daños al acabado del electrodoméstico o al hogar que hayan ocurrido durante la instalación, incluyendo, sin limitación, los armarios, paredes, etc.
13. Daños causados por: servicio técnico realizado por compañías de servicio técnico no autorizadas, el uso de piezas que no sean piezas genuinas Electrolux o piezas obtenidas de personas que no pertenezcan a compañías de servicio técnico autorizado, o causas externas como abuso, mal uso, suministro eléctrico inadecuado, accidentes, incendios o hechos fortuitos.

## RENUNCIA DE RESPONSABILIDAD DE GARANTÍAS IMPLÍCITAS; LIMITACIÓN DE ACCIONES LEGALES

LA ÚNICA Y EXCLUSIVA OPCIÓN DEL CLIENTE BAJO ESTA GARANTÍA LIMITADA ES LA REPARACIÓN O EL REEMPLAZO DEL PRODUCTO SEGUN SE INDICA EN LA PRESENTE GARANTÍA. LOS RECLAMOS BASADOS EN GARANTÍAS IMPLÍCITAS, INCLUIDAS LAS GARANTÍAS DE COMERCIALIZACIÓN O IDONEIDAD DEL PRODUCTO PARA UN PROPOSITO ESPECIFICO, ESTAN LIMITADOS A UN AÑO O AL PERIODO MINIMO PERMITIDO POR LEY, PERO NUNCA MENOS DE UN AÑO. ELECTROLUX NO SERA RESPONSABLE POR DAÑOS CONSECUENTES O INCIDENTALES, COMO POR EJEMPLO DAÑOS A LA PROPIEDAD, NI DE GASTOS INCIDENTALES OCASIONADOS POR EL INCUMPLIMIENTO DE ESTA GARANTÍA ESCRITA O DE CUALQUIER GARANTÍA IMPLÍCITA. ALGUNOS ESTADOS Y PROVINCIAS NO PERMITEN LA EXCLUSIÓN O LIMITACIÓN DE DAÑOS INCIDENTALES O CONSECUENTES O LIMITACIONES EN LA DURACION DE LAS GARANTÍAS IMPLÍCITAS, DE MANERA QUE PUEDE QUE ESTAS LIMITACIONES O EXCLUSIONES NO SE APLIQUEN EN SU CASO. ESTA GARANTÍA ESCRITA LE OTORGA DERECHOS LEGALES ESPECIFICOS. ES POSIBLE QUE TAMBIEN POSEA OTROS DERECHOS QUE VARIAN DE UN ESTADO A OTRO.

## Si tiene que solicitar servicio técnico

Guarde su recibo, la boleta de entrega o cualquier otro registro de pago adecuado para establecer el período de la garantía si llegara a requerir servicio técnico. Si se realiza un servicio, es conveniente obtener y conservar todos los recibos de dicho servicio.

El servicio realizado bajo esta garantía debe ser obtenido a través de Electrolux utilizando las direcciones o números telefónicos que se indican abajo.

Esta garantía solo se aplica en los Estados Unidos y Canadá. En los EE. UU., su electrodoméstico está garantizado por Electrolux Major Appliances North America, una división de Electrolux Home Products, Inc. En Canadá, su electrodoméstico está garantizado por Electrolux Canada Corp. Electrolux no autoriza a ninguna persona para que cambie ninguna de nuestras obligaciones bajo esta garantía ni tampoco agregue ninguna otra. Nuestras obligaciones de servicios y piezas bajo esta garantía deben ser realizadas por Electrolux o una compañía de servicio técnico autorizado. Las especificaciones o características del producto según se describen o ilustran están sujetas a cambio sin previo aviso.

## EE. UU.

1.800.944.9044

Electrolux Major Appliances  
North America  
10200 David Taylor Drive  
Charlotte, NC 28262



Electrolux

## Canadá

1.800.265.8352

Electrolux Canada Corp.  
5855 Terry Fox Way  
Mississauga, Ontario, Canadá  
L5V 3E4

